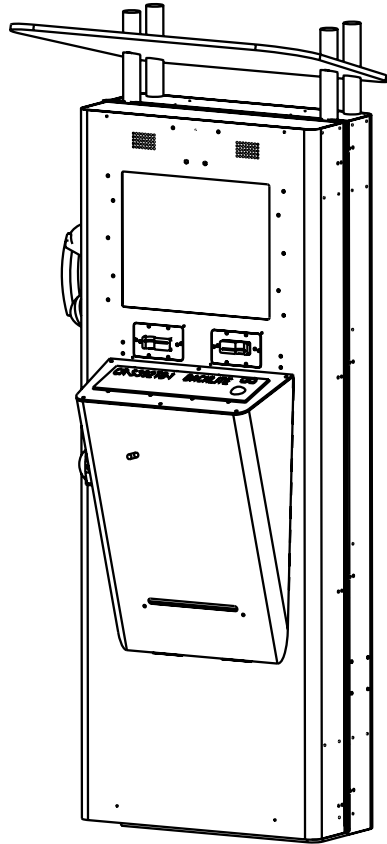


ZONE	LTR	DESCRIPTION	DATE	APPROVED

B

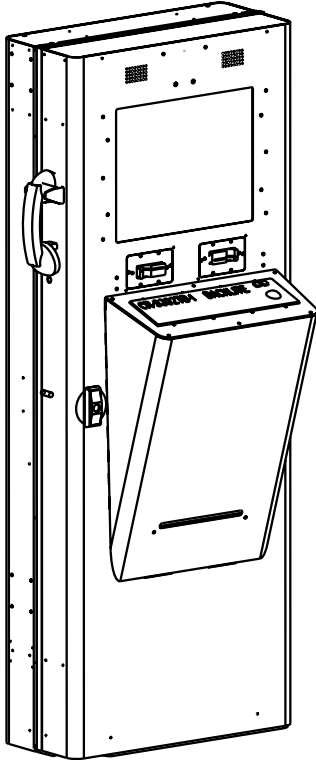


OUTDOOR VERSION

INDOOR AND OUTDOOR VERSION OF THE TRANSIT KIOSK IS THE SAME ENCLOSURE BUT USES DIFFERENT COMPONENTS, SOME OF THE DIFFERENCES ARE LISTED BELOW.

1. OUTDOOR HAS A SUNLIGHT READABLE MONITOR, 1100 NITS.
2. OUTDOOR HAS HEATERS
3. OUTDOOR HAS COOLING SYSTEM.
4. OUTDOOR HAS DOOR GASKETING AND SEALS.
5. OUTDOOR HAS COMPUTER DESIGNED FOR EXTREME CONDITIONS.
6. OUTDOOR PAINT IS A OUTDOOR PRIMER THEN PAINTED.
7. OUTDOOR HAS SEALED POWER SUPPLY WITH SEALED CONNECTION TO 110 LINE.
8. OUTDOOR IS INSULATED TO CONSERVE ENERGY.

INDOOR VERSION USED OUTDOORS WILL VOID THE WARRANTY.



INDOOR VERSION

A

THIS DRAWING IS PROPRIETARY AND CONSIDERED CONFIDENTIAL. NO REPRODUCTION MAY BE MADE WITHOUT WRITTEN PERMISSION FROM H32 DESIGN AND DEVELOPMENT LLC.	SIZE:	DRAWING TITLE:	REV:
	B	TRANSIT CUSTOMER DWG	H
	DWG #:	SHEET:	
	H32-10-250	1 OF 8	

2

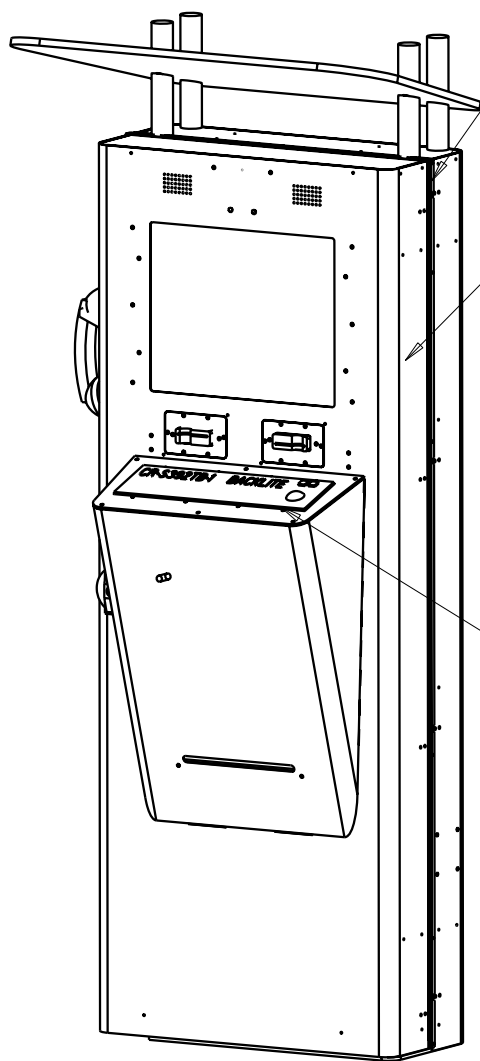
11



For questions regarding this drawing or product please contact an Advanced Kiosks technical sales representative.
 Advanced Kiosks | 134 Hall Street, Units F/G, Concord, NH 03301 | 603-865-1000 | www.advancedkiosks.com

B

A



ALL GASKETS ARE COVERED WITH STEEL GASKET PROTECTORS.

14 GAUGE STEEL
.075 THICK

FULL METAL KEYBOARD IS STANDARD.
THIS CAN BE REPLACES WITH A BIOMETRIC
PALM SCANNER & SIGNATURE PAD.

OUTDOOR VERSION

2

ZONE	LTR	DESCRIPTION	DATE	APPROVED

NOTES

1. THIS DRAWING IS NOT FOR PRODUCTION. IT IS FOR CUSTOMER REFERENCE ONLY.
2. THIS IS AN ENGINEERING DRAWING. MANY MARKS SHOW ON THE PRODUCT SURFACE ARE NOT VISIBILE ON THE PRODUCT. CALL SALES WITH ANY QUESTIONS.
3. STANDARD PAINT IS WEATHERED SILVER.
4. THE PART NUMBNER FOR THE TRANSIT KIOSK IS H32 - 10 - 200
5. THE TRANSIT KIOSK NEEDS TO BE CONFIGURED FOR OUTSIDE USE. PLEASE NOTIFY US WHEN PLACING YOUR ORDER. USE OF THE TRANSIT ORDERED FOR INDOORS USE BUT USED OUTDOORS WILL VOID THE WARRANTY AND COULD BE DANGEROUS.
6. A LICENSED ELECTRICIAN MUST BE USED TO WHEN INSTALLING OUTDOORS.

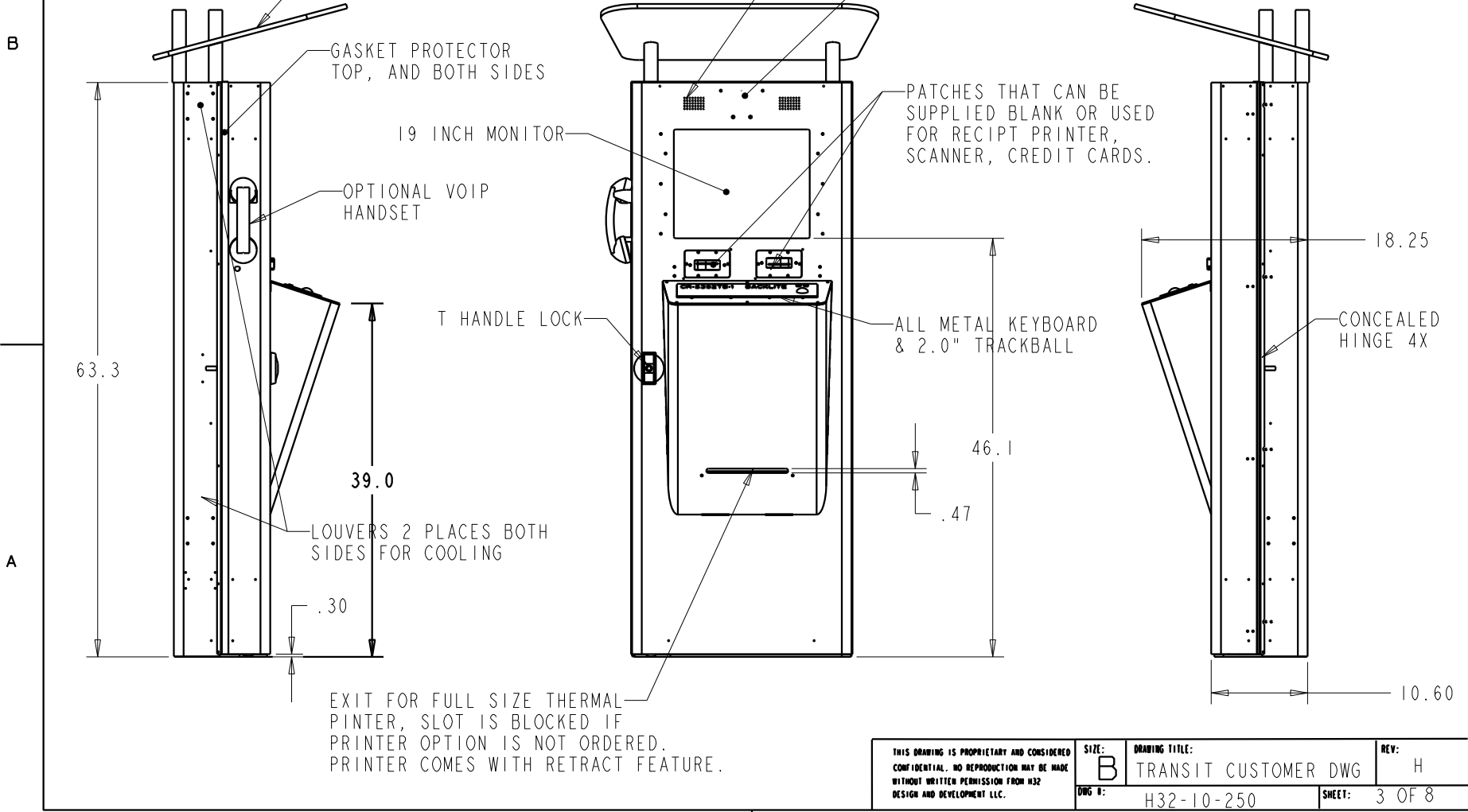
<p>DO NOT SCALE FROM PRINT!</p> <p>INSPECTION</p> <p>PART STATUS:</p> <p>LEGEND:</p> <p>CRITICAL DIMENSION HIDDEN DIMENSION HIDDEN DIMENSION (END *)</p> <p>THIS DRAWING IS PROPRIETARY AND CONSIDERED CONFIDENTIAL. NO REPRODUCTION MAY BE MADE WITHOUT WRITTEN PERMISSION FROM H32 DESIGN AND DEVELOPMENT LLC.</p>	<p>DWG INTERPRETATION: ASME Y14.5M-1994 UNLESS OTHERWISE SPECIFIED:</p> <p>DIMENSIONS IN: INCHES</p> <p>TOTAL DECIMALS: .0001 INCH</p> <p>PROFUNDITY: .005 INCH</p> <p>EDGE BREAKS: .005 INCH</p> <p>FILLET RADIUS: .015 INCH</p> <p>AREAS: ± .01 INCH</p> <p>SURFACE ROUGHNESS: 125</p> <p>TOLERANCES: XX.X ± .01 XX.XX ± .005 XX.XXX ± .002</p> <p>THIRD ANGLE PROJECTION</p>	<p>H32 DESIGN AND DEVELOPMENT LLC, 603-865-1000 PO BOX 234, WILMOT NH 03287, www.H32.com Advanced kiosks is a dba of H32</p> <p>TITLE: TRANSIT CUSTOMER DRAWING</p>
	<p>SIZE: D</p> <p>DRAWING NUMBER: H32-10-250</p> <p>SCALE:</p>	<p>REV: H</p> <p>SHEET: 1 OF 8</p>



For questions regarding this drawing or product please contact an Advanced Kiosks technical sales representative.

Advanced Kiosks | 20 Canal Street, Franklin, NH 03235 | 603-865-1000 | www.advancedkiosks.com

ZONE	LTR	DESCRIPTION	DATE	APPROVED
------	-----	-------------	------	----------



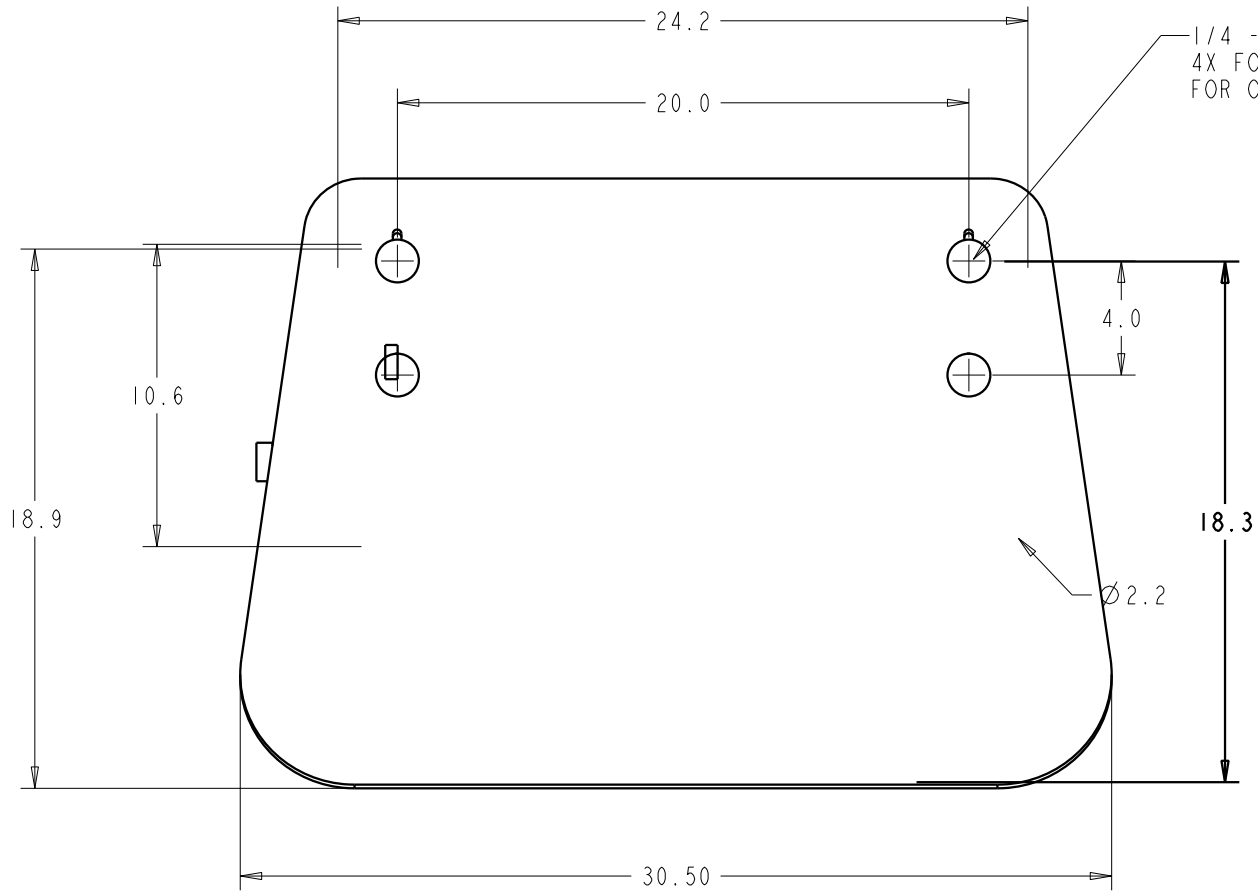
THIS DRAWING IS PROPRIETARY AND CONSIDERED CONFIDENTIAL. NO REPRODUCTION MAY BE MADE WITHOUT WRITTEN PERMISSION FROM H32 DESIGN AND DEVELOPMENT LLC.	SIZE:	DRAWING TITLE:	REV:
	B	TRANSIT CUSTOMER DWG	H
	DWG #:	SHEET:	
	H32-10-250	3 OF 8	



For questions regarding this drawing or product please contact an Advanced Kiosks technical sales representative.
 Advanced Kiosks | 134 Hall Street, Units F/G, Concord, NH 03301 | 603-865-1000 | www.advancedkiosks.com

ZONE	LTR	DESCRIPTION	DATE	APPROVED

B



A

TOP VIEW

THIS DRAWING IS PROPRIETARY AND CONSIDERED CONFIDENTIAL. NO REPRODUCTION MAY BE MADE WITHOUT WRITTEN PERMISSION FROM H32 DESIGN AND DEVELOPMENT LLC.	SIZE:	DRAWING TITLE:	REV:
	B	TRANSIT CUSTOMER DWG	H
	DWG #:	SHEET:	
	H32-10-250	4 OF 8	

2

11



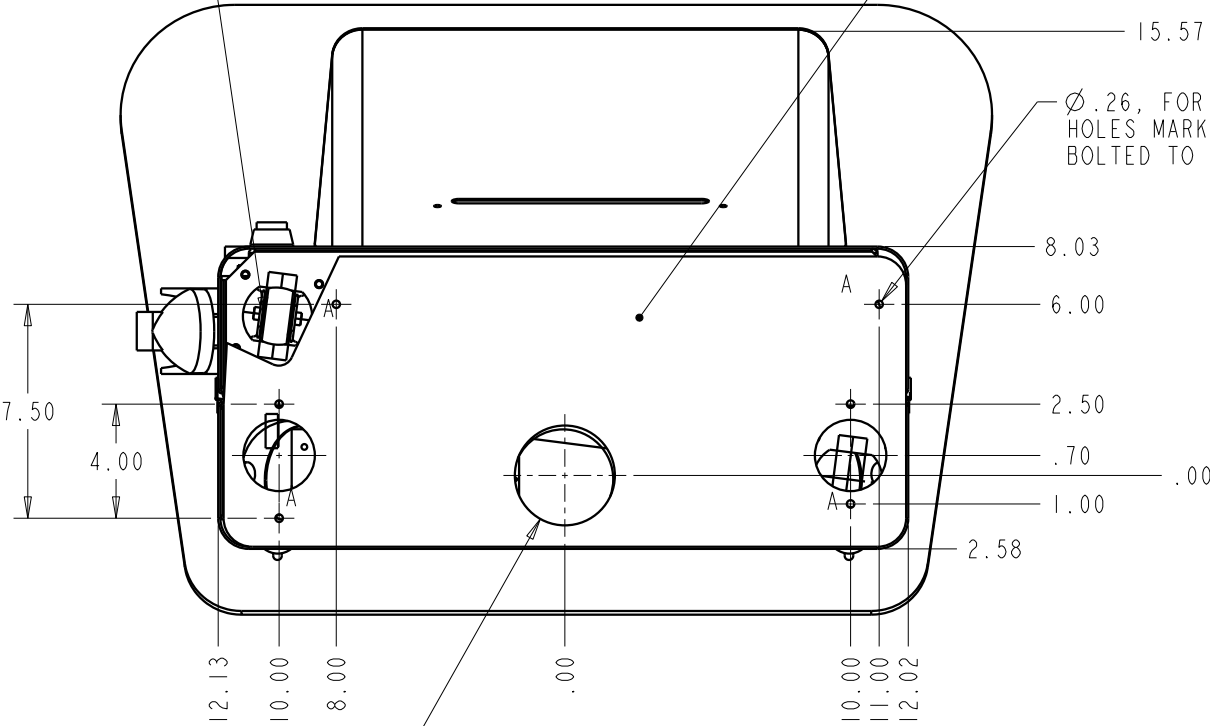
For questions regarding this drawing or product please contact an Advanced Kiosks technical sales representative.

Advanced Kiosks | 134 Hall Street, Units F/G, Concord, NH 03301 | 603-865-1000 | www.advancedkiosks.com

ZONE	LTR	DESCRIPTION	DATE	APPROVED

B
WHEEL IS FOR HOLDING FRONT SECTION TO MAKE OPENING KIOSK EASY.

BOTTOM PLATE IS .200 THICK STEEL NOT CUTABLE AT INSTALLATION SITE. CONTACT ADVANCED KIOSKS IF LARGER ACCESS HOLES ARE NEEDED.



Ø 3.50 BOTTOM VIEW

THIS DRAWING IS PROPRIETARY AND CONSIDERED CONFIDENTIAL. NO REPRODUCTION MAY BE MADE WITHOUT WRITTEN PERMISSION FROM H32 DESIGN AND DEVELOPMENT LLC.	SIZE: B	DRAWING TITLE: TRANSIT CUSTOMER DWG	REV: H
	DWG #: H32-10-250	SHEET: 5 OF 8	

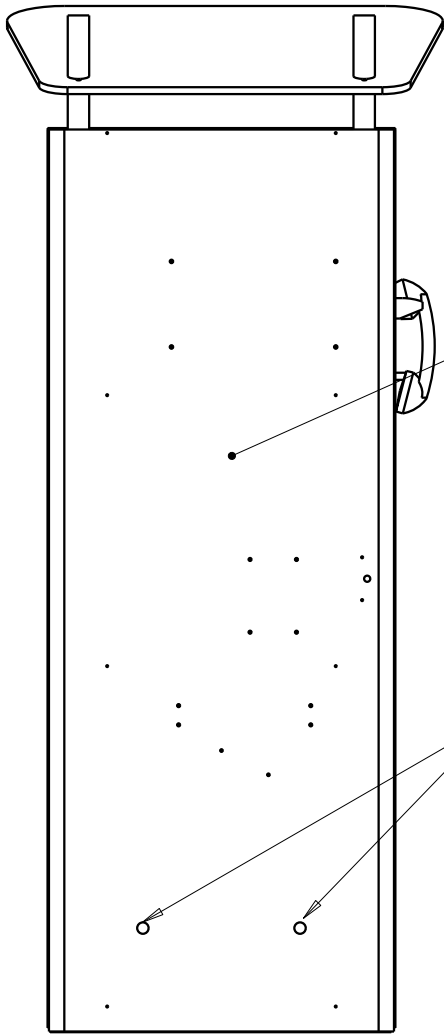


For questions regarding this drawing or product please contact an Advanced Kiosks technical sales representative.
Advanced Kiosks | 134 Hall Street, Units F/G, Concord, NH 03301 | 603-865-1000 | www.advancedkiosks.com

ZONE	LTR	DESCRIPTION	DATE	APPROVED

B

A



BACK IS FLAT AND A OPTIONAL GRAPHIC CAN BE APPLIED.

THERE ARE KNOCK OUT HOLES ON THE BACK FOR BRINGING IN ELECTRICAL USING STANDARD ELECTRICAL CONDUIT, 2 PLACES

BACK VIEW

THIS DRAWING IS PROPRIETARY AND CONSIDERED CONFIDENTIAL. NO REPRODUCTION MAY BE MADE WITHOUT WRITTEN PERMISSION FROM H32 DESIGN AND DEVELOPMENT LLC.	SIZE:	DRAWING TITLE:	REV:
	B	TRANSIT CUSTOMER DWG	H
	DWG #:	H32-10-250	SHEET: 6 OF 8

2

11



For questions regarding this drawing or product please contact an Advanced Kiosks technical sales representative.
 Advanced Kiosks | 134 Hall Street, Units F/G, Concord, NH 03301 | 603-865-1000 | www.advancedkiosks.com

ZONE	LTR	DESCRIPTION	DATE	APPROVED

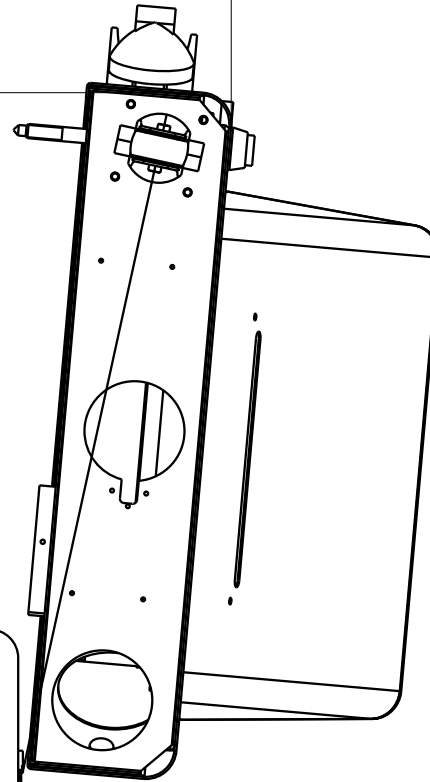
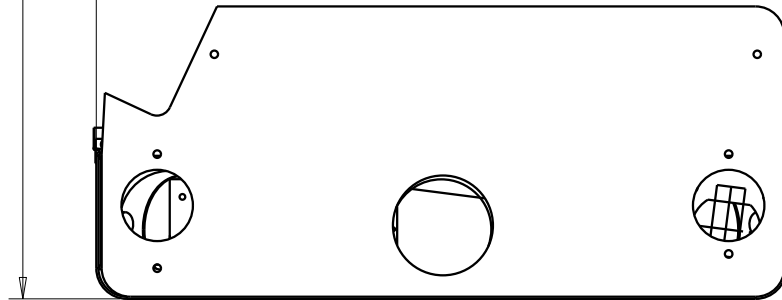
B

32

NOTE: PLAN ON 3 FEET OF FLAT SPACE
INFRONT OF THE KIOSK FOR THE DOOR
TO OPEN AND FOR USERS OF THE KIOSK.

29

A



BOTTOM VIEW - KIOSK OPEN

2

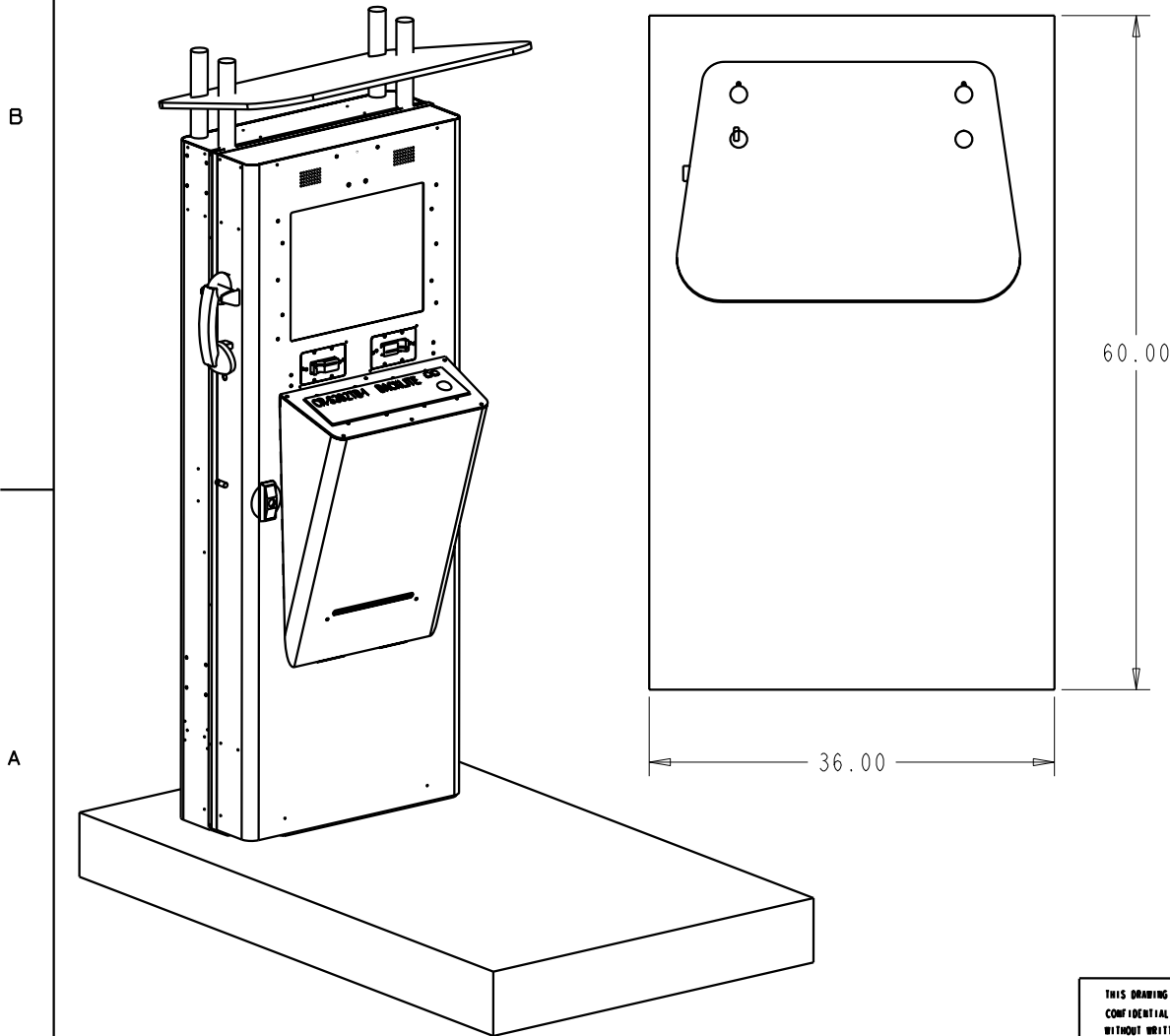
THIS DRAWING IS PROPRIETARY AND CONSIDERED CONFIDENTIAL. NO REPRODUCTION MAY BE MADE WITHOUT WRITTEN PERMISSION FROM H32 DESIGN AND DEVELOPMENT LLC.	SIZE:	DRAWING TITLE:	REV:
	B	TRANSIT CUSTOMER DWG	H
	DWG #:	SHEET:	
	H32-10-250	7 OF 8	



For questions regarding this drawing or product please contact an Advanced Kiosks technical sales representative.

Advanced Kiosks | 134 Hall Street, Units F/G, Concord, NH 03301 | 603-865-1000 | www.advancedkiosks.com

ZONE	LTR	DESCRIPTION	DATE	APPROVED



THE SMALLEST RECOMMENDED SIZE FOR A PAD FOR THE TRANSIT KIOSK IS 3 BY 5 FEET. A TEMPLATE FOR MARKING HOLES WILL BE PROVIDED. MAKE SURE YOU FOLLOW ALL BUILDING CODES WHEN INSTALLING THE PAD. THE POWER CAN BE BROUGHT THROUGH THE BOTTOM OR FROM THE BACK OF THE KIOSK.

THIS DRAWING IS PROPRIETARY AND CONSIDERED CONFIDENTIAL. NO REPRODUCTION MAY BE MADE WITHOUT WRITTEN PERMISSION FROM H32 DESIGN AND DEVELOPMENT LLC.	SIZE:	DRAWING TITLE:	REV:
	B	TRANSIT CUSTOMER DWG	H
	DWG #:	H32-10-250	SHEET: 8 OF 8

2

11



For questions regarding this drawing or product please contact an Advanced Kiosks technical sales representative.

Advanced Kiosks | 134 Hall Street, Units F/G, Concord, NH 03301 | 603-865-1000 | www.advancedkiosks.com