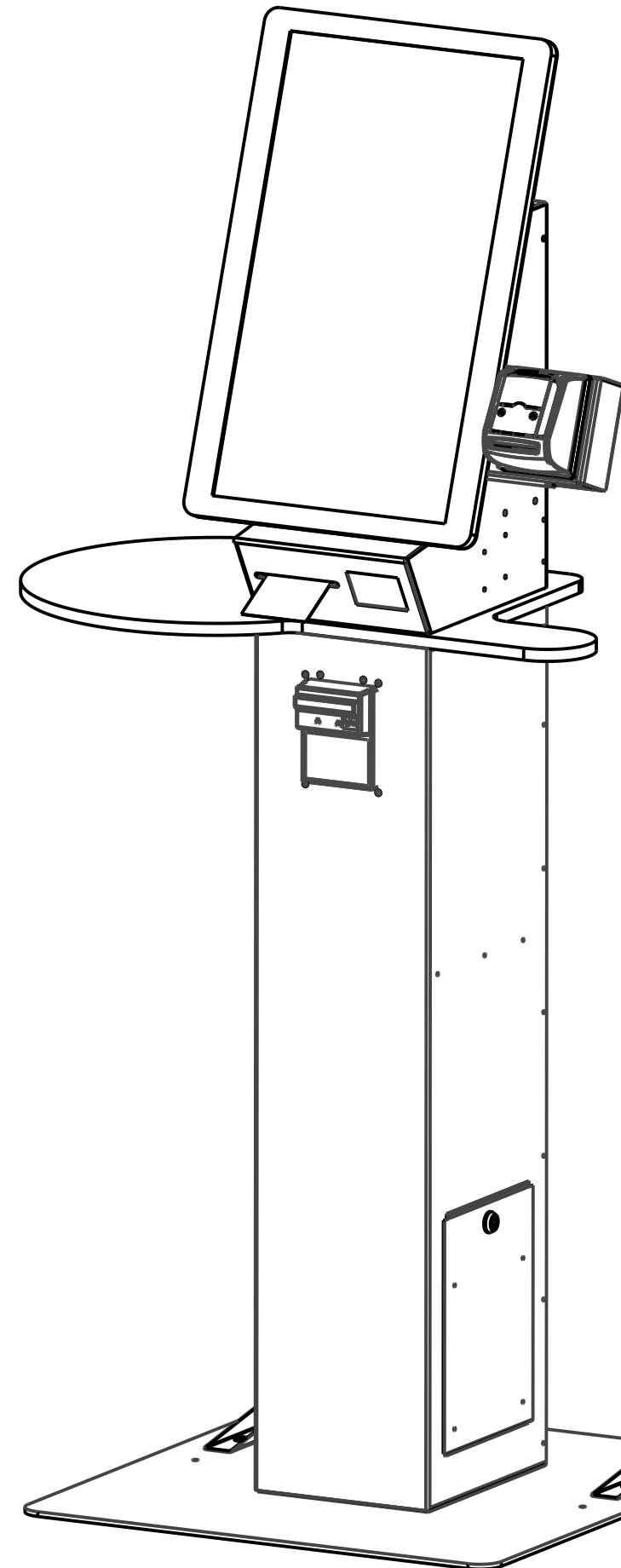


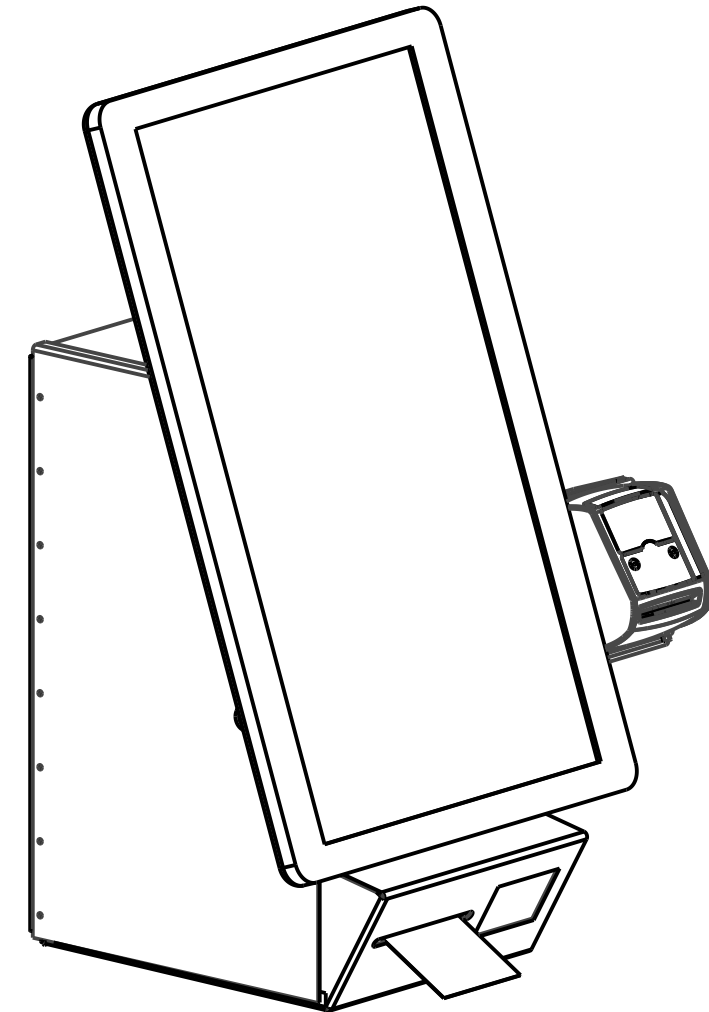
ZONE	LTR	DESCRIPTION	DATE	APPROVED



NOTES:

1. THIS IS A CUSTOMER DRAWING DO NOT REFERENCE FOR MANUFACTURING. IT IS ONLY FOR CUSTOMERS TO REFERENCE.
2. THIS IS A ENGINEERING MODEL OF THE TICKETING KIOSK. ALL FEATURES ARE SHOWN. HOLES AND OTHER FEATURES ARE FILLED DURING PAINT OR FOR WELDING MAY BE VISABLE.

TICKETING KIOSK WITH PEDISTAL AND BASE PLATE. SEE PAGE 2 - 4



TICKETING PRINTER COUNTERTOP CONFIGURATION SEE PAGE 5 TO 6

<p>DO NOT SCALE FROM PRINT!</p> <p>INSPECTION</p> <p>PART STATUS:</p> <p>LEGEND: " CRITICAL DIMENSION " MAJOR DIMENSION (NO *) MINOR DIMENSION</p> <p>THIS DRAWING IS PROPRIETARY AND CONSIDERED CONFIDENTIAL. NO REPRODUCTION MAY BE MADE WITHOUT WRITTEN PERMISSION FROM H32 DESIGN AND DEVELOPMENT LLC.</p>		<p>DWG INTERPRETATION: ASME Y14.5M-1994 UNLESS OTHERWISE SPECIFIED:</p> <p>DIMENSIONS IN: INCHES TOTAL RUNOUT: .005 INCH PERPENDICULARITY: .005 INCH EDGE BREAKS: .005-.015 FILLET RADII: .010 MAX ANGLES: ± 0 30' SURFACE ROUGHNESS: 125</p> <p>TOLERANCES: XXX .02 XX.XX .010 XX.XXX .005</p>		<p>H32 DESIGN AND DEVELOPMENT LLC, 603-865-1000 PO BOX 234, WILMOT NH 03287, www.H32.com Advanced kiosks is a dba of H32</p>	
		<p>THIRD ANGLE PROJECTION</p>		<p>TITLE: TICKETING KIOSK, CUSTOMER DRAWING</p>	
<p>SIZE: D</p>		<p>DRAWING NUMBER: h32 - 220 - C</p>		<p>REV: C</p>	
<p>SCALE:</p>		<p>SHEET: 1 OF 6</p>			

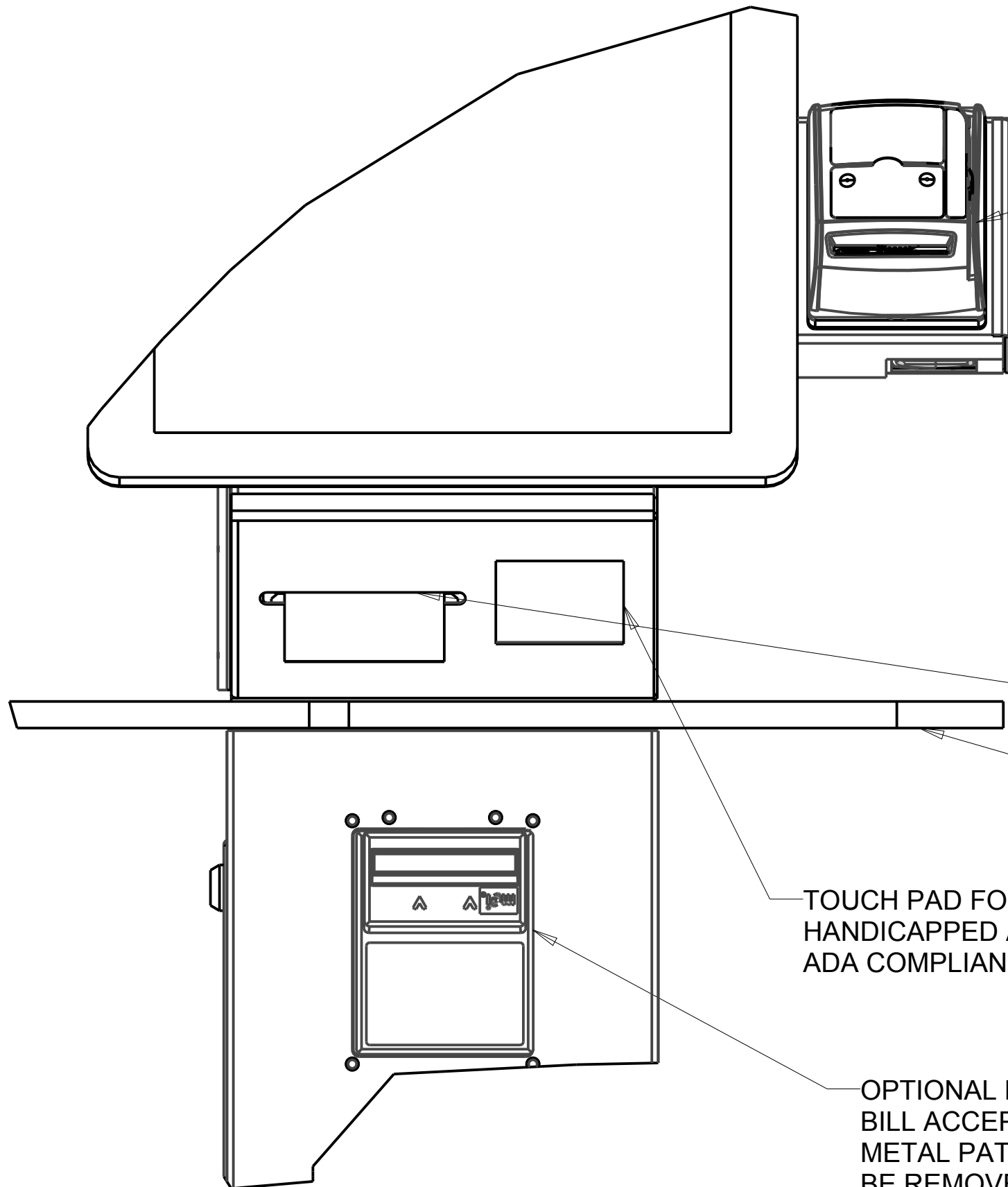
B

A

ZONE	LTR	DESCRIPTION	DATE	APPROVED

B

A



CREDIT CARD OR EMV READER
MANY OPTIONS ARE AVAILABLE
FROM INGENICO, IDTECH, PAX, VERIFONE.
WE CAN ALSO DO JUST A MAGNETIC
STRIP READER.

BARCODE QR CODE SCANNER CONCEALED IN THE ARM.
THE ARM CAN BE UNLOCKED FOR INSID THE KIOSK TO
ACCESS THE BARCODE SCANNER AND THE BACK OF THE
CREDIT CARD READER.

HIGH DENSITY THERMAL PRINTER
WITH PRESENTER.

THE PLASTIC TABLE ASLO ACTS AS A
TARGET TO HELP USERS TO KNOW
WHERE TO HOLD THEIR PHONE OR
RECIPT FOR QUICKER SCANNING AND
SHORTING ACCESS TIME. A STICKER
IS ON TOP FOR CUSTOMER DIRECTIONS.

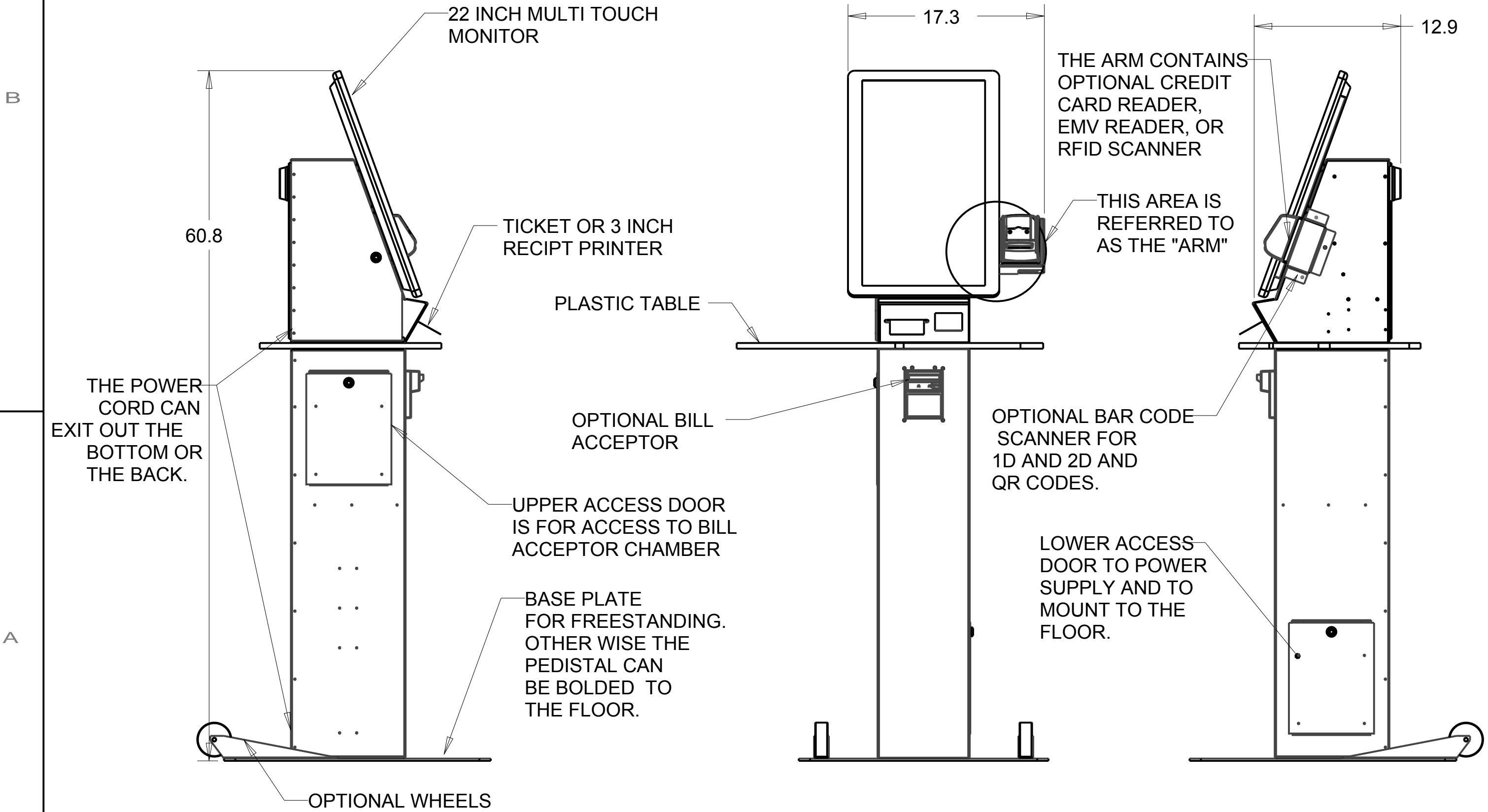
TOUCH PAD FOR
HANDICAPPED AND
ADA COMPLIANCE.

OPTIONAL BILL ACCEPTOR OR BILL RECYCLER. IF
BILL ACCEPTOR IS NOT ORDERED WITH KIOSK A
METAL PATCH WILL BE INSTALLED. THIS CAN EASILY
BE REMOVED FOR A FIELD INSTALL OF A BILL ACCEPTOR.

DETAIL A
SCALE 0.400

THIS DRAWING IS PROPRIETARY AND CONSIDERED CONFIDENTIAL. NO REPRODUCTION MAY BE MADE WITHOUT WRITTEN PERMISSION FROM H32 DESIGN AND DEVELOPMENT LLC. WWW.H32.COM	SIZE:	DRAWING TITLE:	REV:
	B	TICKETING KIOSKS CUS	C
DWG #:	H32 - 220 - C	SHEET:	2 OF 6

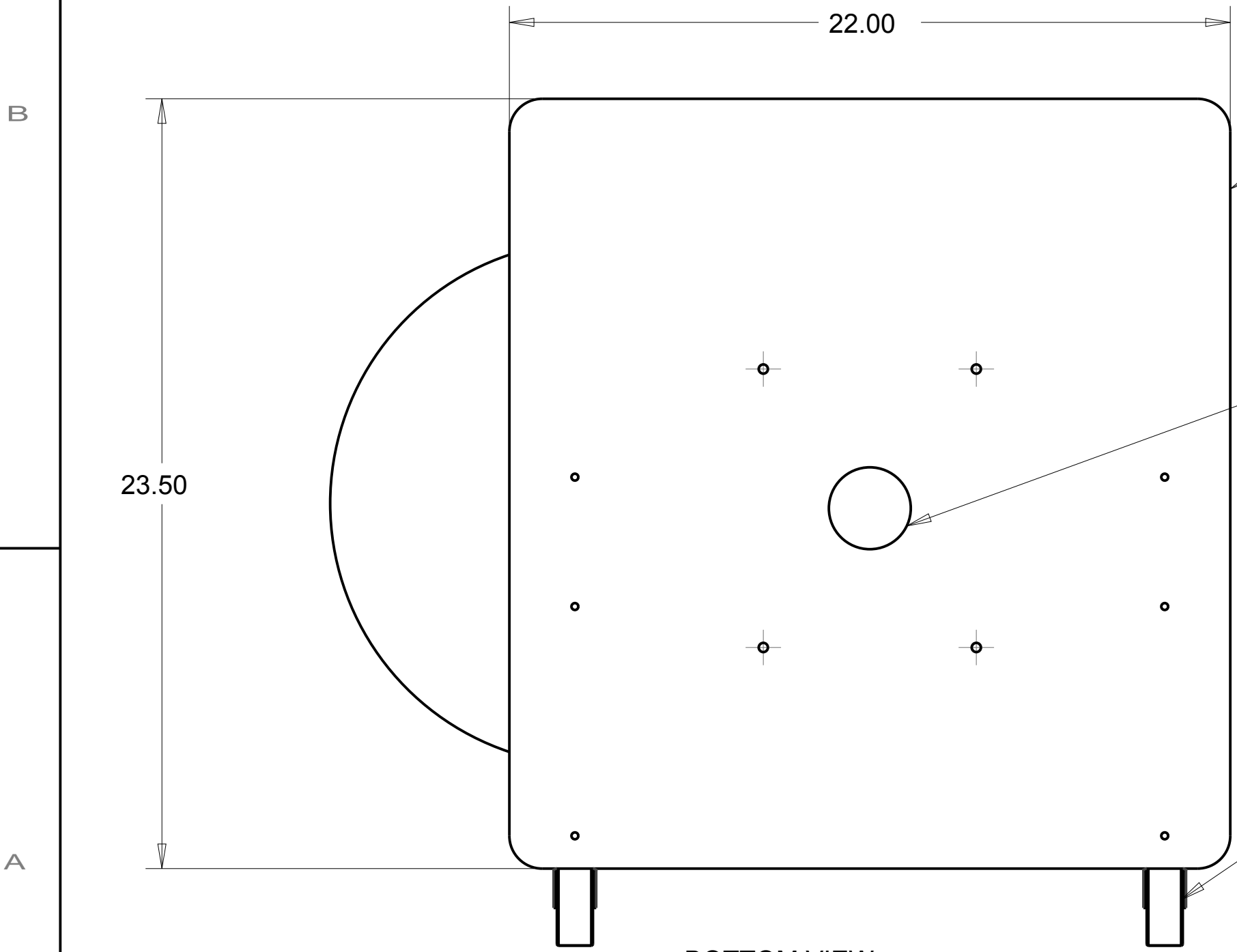
ZONE	LTR	DESCRIPTION	DATE	APPROVED



TICKETING KIOSK WITH PEDISTAL

THIS DRAWING IS PROPRIETARY AND CONSIDERED CONFIDENTIAL. NO REPRODUCTION MAY BE MADE WITHOUT WRITTEN PERMISSION FROM H32 DESIGN AND DEVELOPMENT LLC. WWW.H32.COM	SIZE:	DRAWING TITLE:	REV:
	B	TICKETING KIOSKS CUS	C
DWG #:	H32 - 220 - C	SHEET:	3 OF 6

ZONE	LTR	DESCRIPTION	DATE	APPROVED



THE BASE CAN BE REMOVED TO MOUNT THE PEDISTAL TO THE FLOOR. THE LOWER DOOR IS THE ACCESS POINT TO UNBLOT THE BASE AND TO BOLT TO THE FLOOR.

2.5 INCH HOLE FOR FLOOR OUTLET ACCESS

THE OPTIONAL WHEEL ARE EASILY REMOVABLE WITH ALLEN WRENCH.

BOTTOM VIEW

THIS DRAWING IS PROPRIETARY AND CONSIDERED CONFIDENTIAL. NO REPRODUCTION MAY BE MADE WITHOUT WRITTEN PERMISSION FROM H32 DESIGN AND DEVELOPMENT LLC. WWW.H32.COM

SIZE: **B**

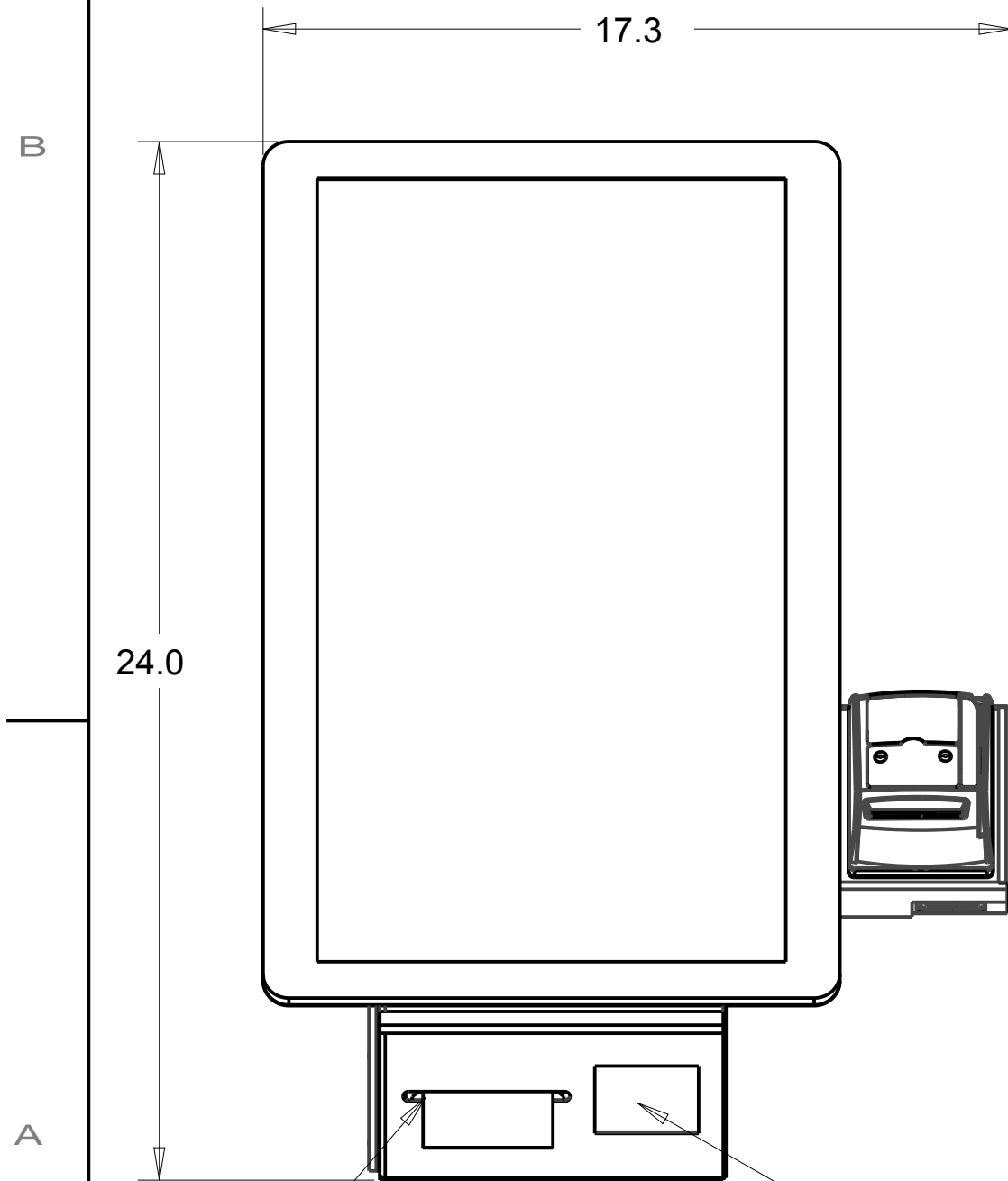
DRAWING TITLE: **TICKETING KIOSKS CUS**

REV: **C**

DWG #: **H32 - 220 - C**

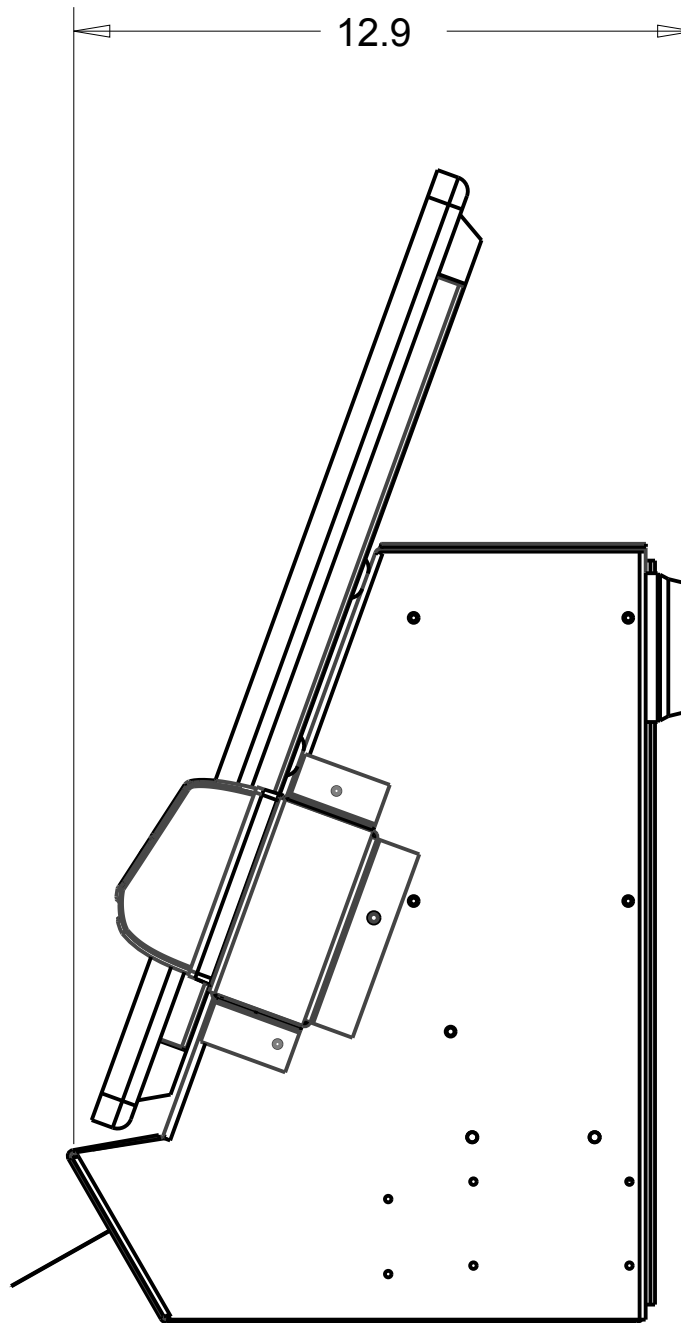
SHEET: **4 OF 6**

ZONE	LTR	DESCRIPTION	DATE	APPROVED

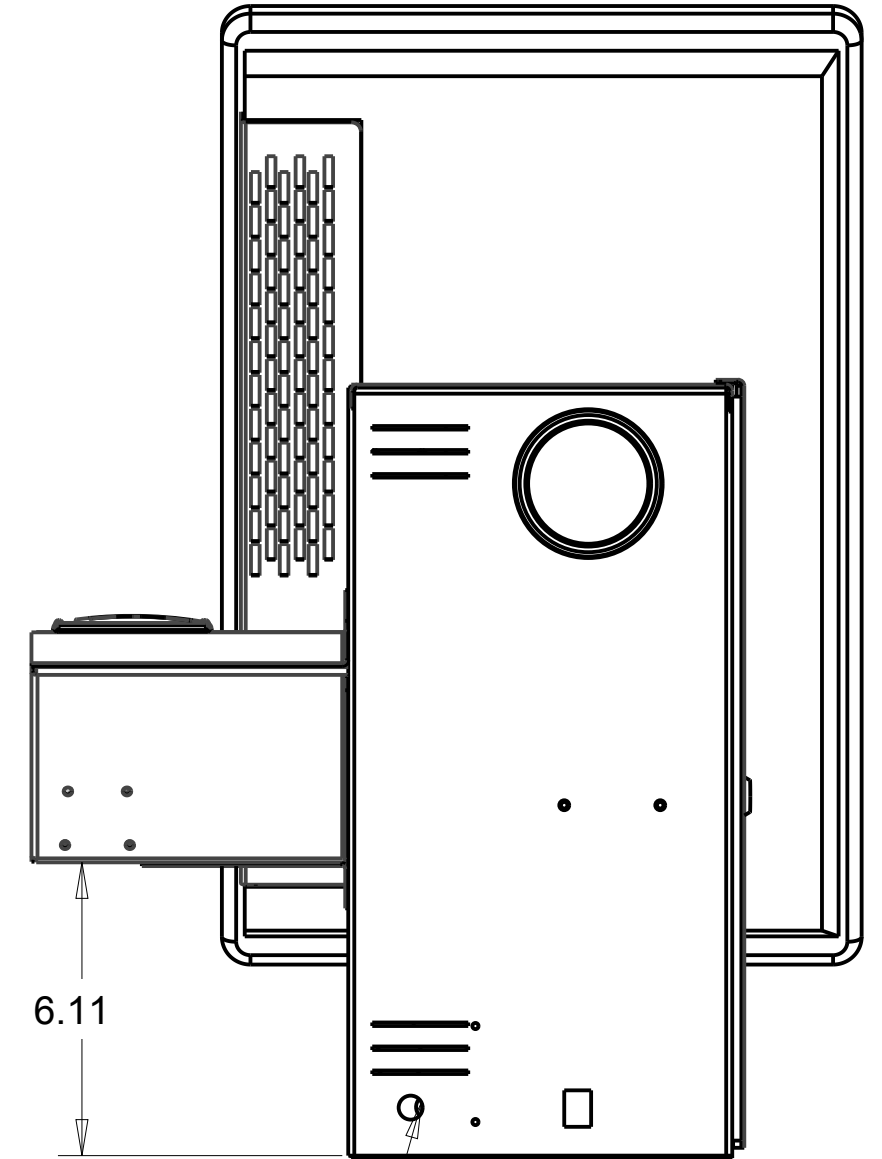


HIGH DENSITY THERMAL PRINTER WITH PRESENTER.

TOUCH PAD FOR HANDICAPPED AND ADA COMPLIANCE.



THE COUNTERTOP CAN EITHER HAVE THE POWER CORD COME OUT THE BACK HERE OR THROUGH THE BOTTOM SEE PAGE 6



TICKETING KIOSK COUNTER TOP

THIS DRAWING IS PROPRIETARY AND CONSIDERED CONFIDENTIAL. NO REPRODUCTION MAY BE MADE WITHOUT WRITTEN PERMISSION FROM H32 DESIGN AND DEVELOPMENT LLC. WWW.H32.COM

SIZE:

B

DRAWING TITLE:

TICKETING KIOSKS CUS

REV:

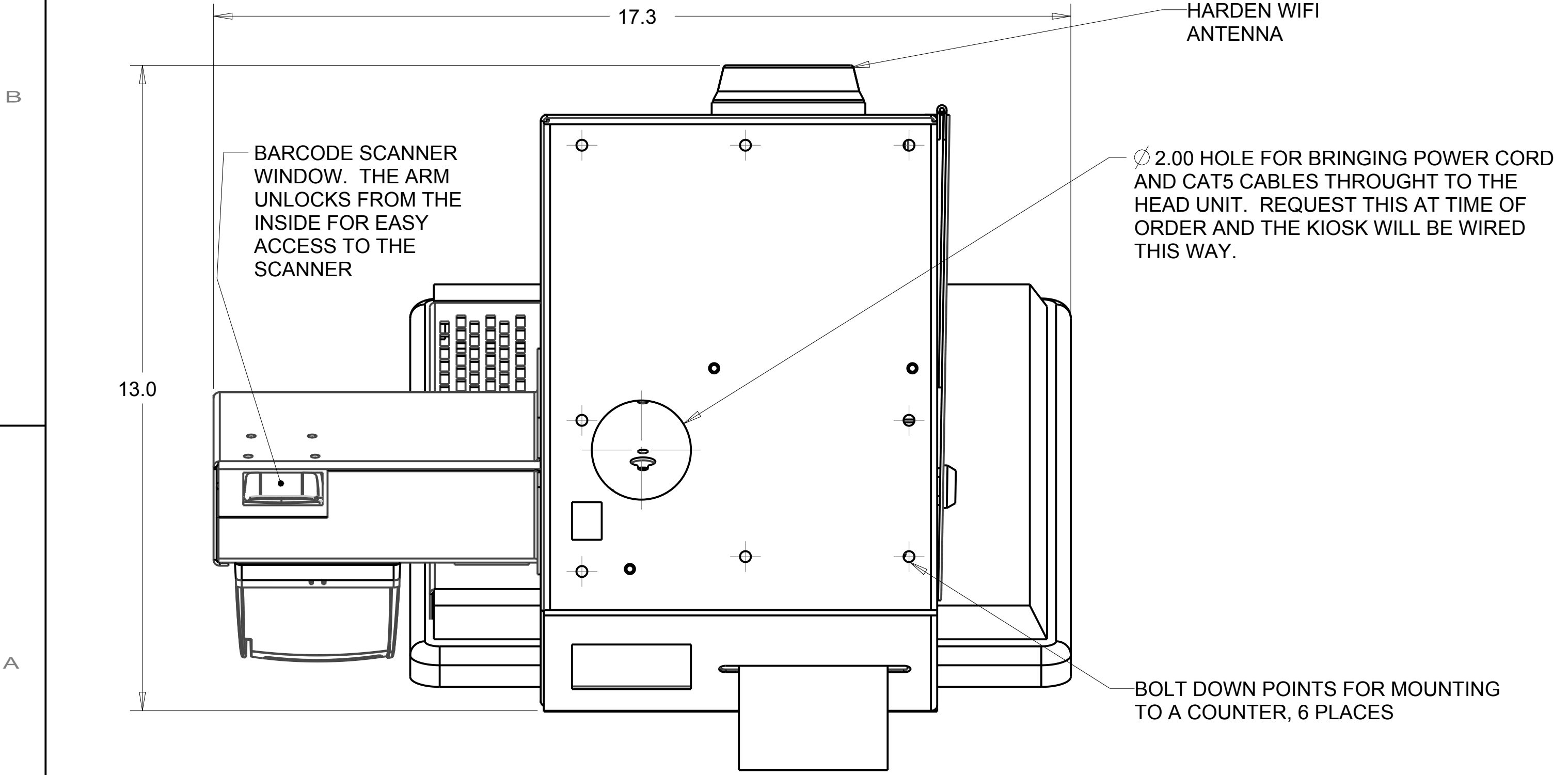
C

DWG #:

H32 - 220 - C

SHEET: 5 OF 6

ZONE	LTR	DESCRIPTION	DATE	APPROVED



BARCODE SCANNER WINDOW. THE ARM UNLOCKS FROM THE INSIDE FOR EASY ACCESS TO THE SCANNER

HARDEN WIFI ANTENNA

Ø 2.00 HOLE FOR BRINGING POWER CORD AND CAT5 CABLES THROUGHT TO THE HEAD UNIT. REQUEST THIS AT TIME OF ORDER AND THE KIOSK WILL BE WIRED THIS WAY.

BOLT DOWN POINTS FOR MOUNTING TO A COUNTER, 6 PLACES

COUNTERTOP BOTTOM VIEW

THIS DRAWING IS PROPRIETARY AND CONSIDERED CONFIDENTIAL. NO REPRODUCTION MAY BE MADE WITHOUT WRITTEN PERMISSION FROM H32 DESIGN AND DEVELOPMENT LLC. WWW.H32.COM	SIZE:	DRAWING TITLE:	REV:
	B	TICKETING KIOSKS CUS	C
DWG #:	H32 - 220 - C	SHEET: 6 OF 6	