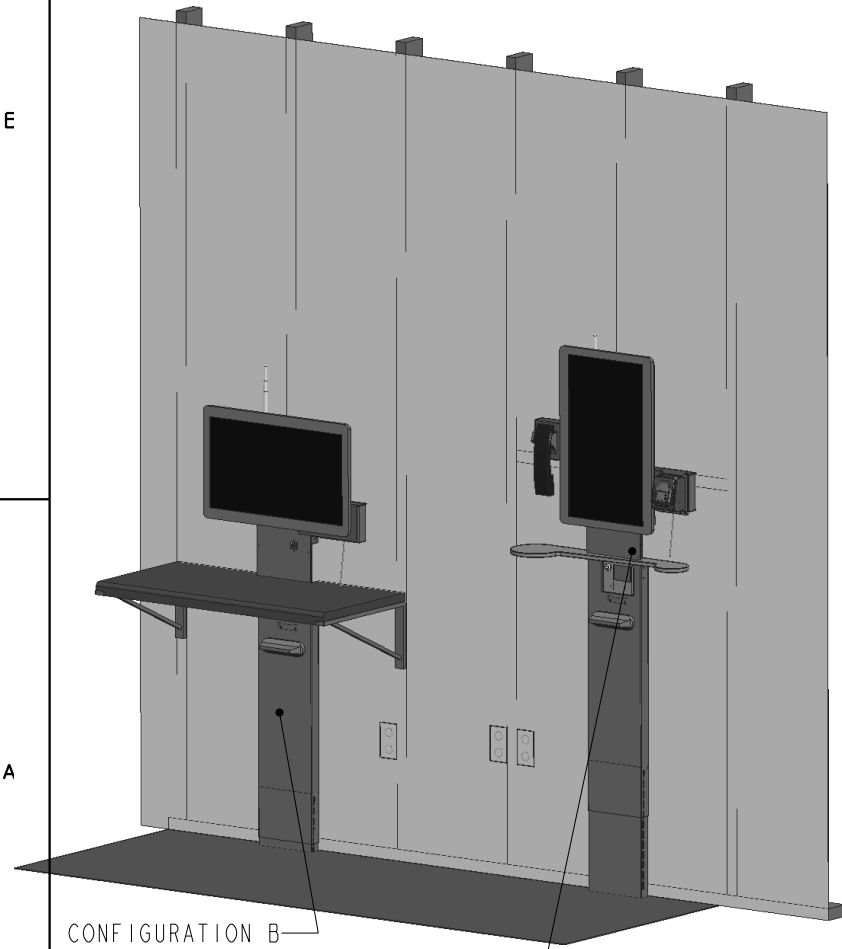


ZONE	LTR	DESCRIPTION	DATE	APPROVED



E

A

CONFIGURATION B
SITTING DESK
SEE NOTE #6

CONFIGURATION A
STANDING QUICK
ACCESS, SEE NOTE #6

NOTES:

1. THIS DRAWING IS NOT FOR PRODUCTION IT IS FOR CUSTOMERS REFERENCE ONLY.
2. THIS IS AN ENGINEERING DRAWING OF A SOLID MOLDEL. THERE ARE MARKS AND FEATURES MAY BE SHOWN THAT ARE NOT VISABLE ON THE FINAL PRODUCT.
3. THE RETAIL KIOSK IS A WALL MOUNTED KIOSK THAT IS DESIGNED TO BOLT TO A STUD ABOVE A STANDARD WALL OUTLET. THE KIOSK WILL PLUG INTO THE OUTLET FOR POWER AND THE SKIRT HIDES ALL CORDS.
4. INSTALLATION TIME 20 MINUTES.
5. TOOLS NEEDED FOR INSTALLATION: LEVEL, SCREW DRIVER, STUD FINDER, PLUM, POWER SCREW DRIVER.
6. THERE ARE 4 WAYS THE RETAIL KIOSK CAN BE CONFIGURED.
 - A. MONITOR VERTICAL MOUNTED HIGH WITH SMALL TABLE. FOR VERY QUICK ACCESS.
 - B. MONITOR HORIZONTAL, MOUNTED LOW WITH SMALL DESK FOR SITTING ACCESS FOR LONGER ACCESS WITH KEYBOARD.
 - C. MONITOR HORIZONTAL, KIOSK MOUNTED HIGH WITH SMALL DESK FOR STANDING ACCESS WITH STANDARD KEYBOARD. NOT SHOWN BUT VERY CLOSE TO B.
 - D. MONITOR VERTICALLY MOUNTED LOW WITH A TABLE/ DESK FOR STANDING ACCESS. NOT SHOWN.

DO NOT SCALE FROM PRINT!		DWG INTERPRETATION: ASME Y14.5M-1994 UNLESS OTHERWISE SPECIFIED:		H32 DESIGN AND DEVELOPMENT LLC, 603-865-1000 PO BOX 234, WILMOT NH 03287, www.H32.com Advanced kiosks is a dba of H32	
INSPECTION		DIMENSIONS IN: INCHES		TITLE:	
PART STATUS:		TOLERANCES: ± .010		RETAIL KIOSK CUSTOMER DWG	
LEGEND:		SURFACE ROUGHNESS: 125		SIZE: D	
THIS DRAWING IS PROPRIETARY AND CONSIDERED CONFIDENTIAL. NO REPRODUCTION MAY BE MADE WITHOUT WRITTEN PERMISSION FROM H32 DESIGN AND DEVELOPMENT LLC.		THIRD ANGLE PROJECTION		DRAWING NUMBER: H32 - 260 - C	
				REV: B	
				SCALE: SHEET: 1 OF 5	

2

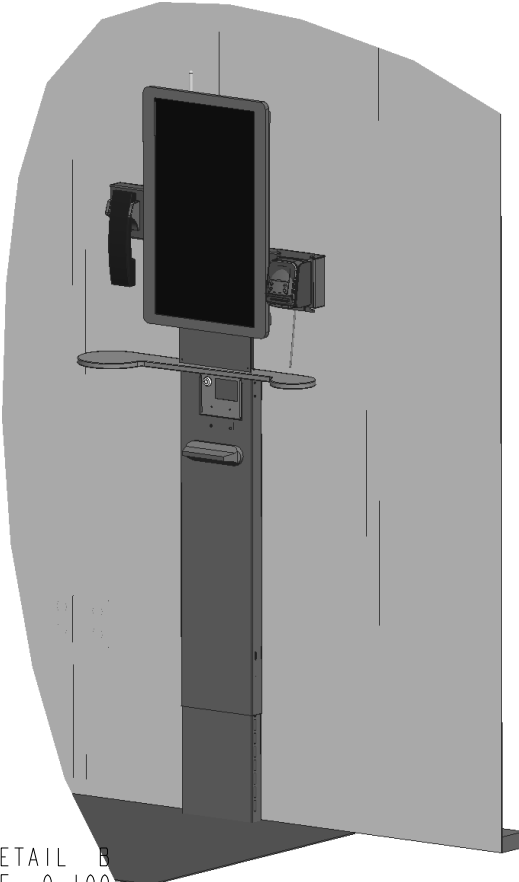
1



For questions regarding this drawing or product please contact an Advanced Kiosks technical sales representative.
Advanced Kiosks | 134 Hall Street, Units F/G, Concord, NH 03301 | 603-865-1000 | www.advancedkiosks.com

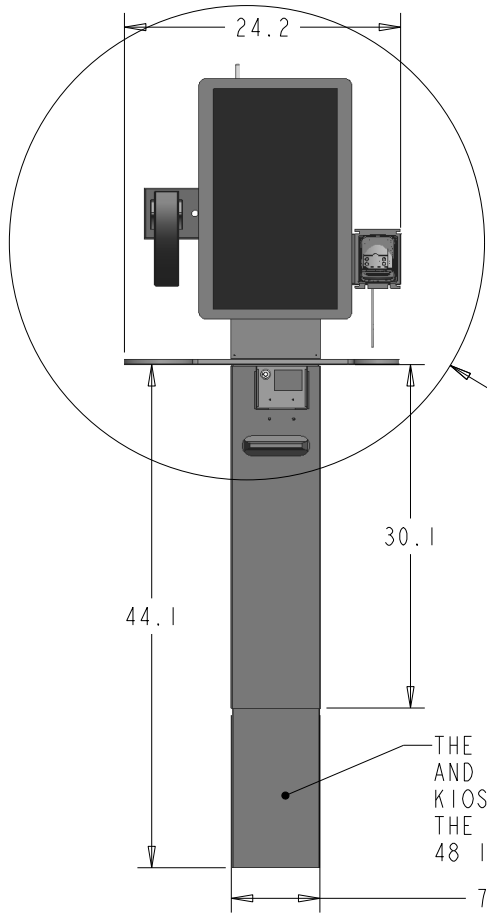
ZONE	LTR	DESCRIPTION	DATE	APPROVED

B



DETAIL B
SCALE 0.100

A



SEE DETAIL C
PAGE 3

THE SKIRT IS ADJUSTABLE
AND CAN SIZED TO MOUNT THE
KIOSK AS LOW AS 30 INCHES FROM
THE FLOOR TO A MAX HEIGHT OF
48 INCHES.

RETAIL KIOSK WITH HEAD MOUNTED
VERTICALLY AND SMALL TABLE

THIS DRAWING IS PROPRIETARY AND CONSIDERED CONFIDENTIAL. NO REPRODUCTION MAY BE MADE WITHOUT WRITTEN PERMISSION FROM H32 DESIGN AND DEVELOPMENT LLC. WWW.H32.COM	SIZE: B	DRAWING TITLE: RETAIL KIOSK CUSTOMER	REV: DWG B
	DWG #: H32 - 260 - C	SHEET: 2 OF 6	

2

11



For questions regarding this drawing or product please contact an Advanced Kiosks technical sales representative.
Advanced Kiosks | 134 Hall Street, Units F/G, Concord, NH 03301 | 603-865-1000 | www.advancedkiosks.com

ZONE	LTR	DESCRIPTION	DATE	APPROVED

B

OPTIONAL VOIP HANDSET

22 INCH WIDE SCREEN
MULTI-TOUCH MONITOR
MOUNTED VERTICALLY

OPTIONAL CREDIT
CARD READER. MANY MAKES AND MODELS
AVAILABLE: INGEINCO, PST, VERIPHONE

SMALL TABLE, THE SMALL TABLE OR
TABLE DESK ARE SUPPLIED WITH THE KIOSK
BUT NOT BOTH.

THE SCANNER IS HIDDEN BEHIND
CREDIT CARD READER. THE
SCANNER WILL SCAN QR AND
ID AND 2D BAR CODES FROM
CELL PHONE OR FROM PAPER.

A

LOCK TO ACCESS:
POWER SWITCH
USB CONNECTION
CAT 5 CONNECTION
SECURE KIOSK TO WALL

TOUCH PAD FOR HANDICAP
ACCESS ADA COMPLIANT.

DETAIL C
SCALE 0.250

RETAIL KIOSK WITH HEAD MOUNTED
VERTICALLY AND SMALL TABLE, DETAIL

THIS DRAWING IS PROPRIETARY AND CONSIDERED CONFIDENTIAL. NO REPRODUCTION MAY BE MADE WITHOUT WRITTEN PERMISSION FROM H32 DESIGN AND DEVELOPMENT LLC. WWW.H32.COM	SIZE:	DRAWING TITLE:	REV:
	DWG #:	H32 - 260 - C	SHEET: 3 OF 6

2

11



For questions regarding this drawing or product please contact an Advanced Kiosks technical sales representative.
Advanced Kiosks | 134 Hall Street, Units F/G, Concord, NH 03301 | 603-865-1000 | www.advancedkiosks.com

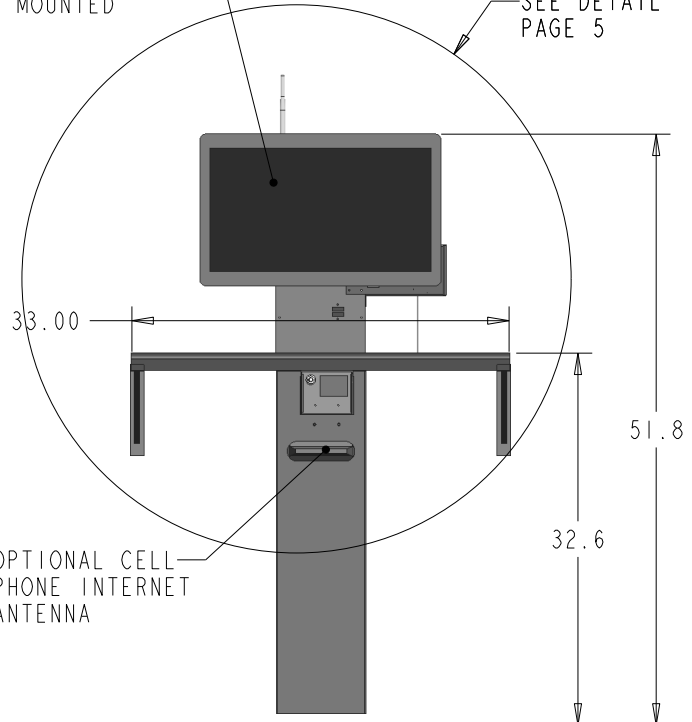
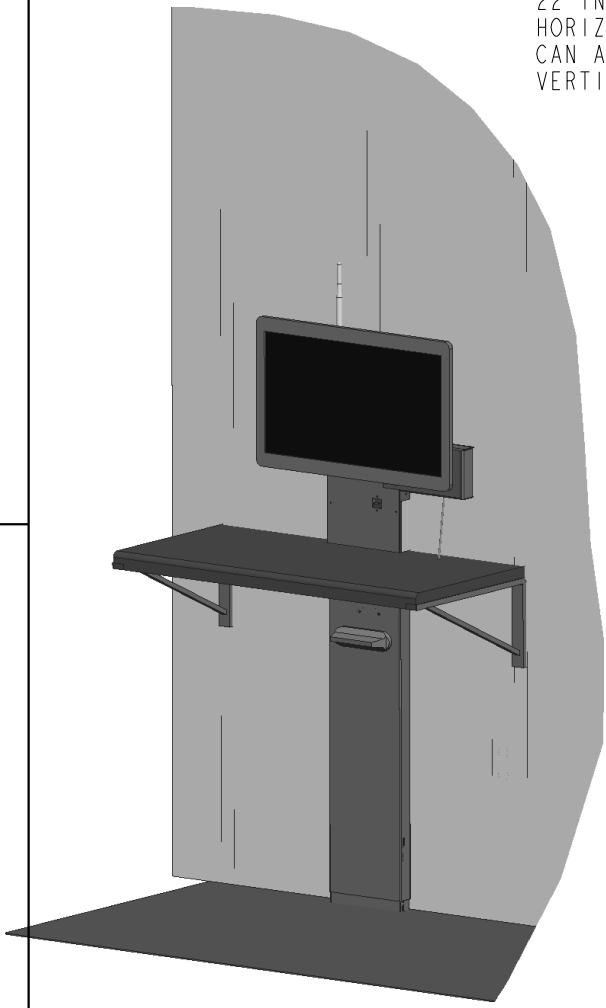
ZONE	LTR	DESCRIPTION	DATE	APPROVED

22 INCH MONITOR, MOUNTED HORIZONITALLY THE MONITOR CAN ALSO BE MOUNTED VERTICALLY.

SEE DETAIL D PAGE 5

B

A



OPTIONAL CELL PHONE INTERNET ANTENNA

RETAIL KIOSK HEAD HORIZONTAL WITH TABLE/DESK FOR SITTING USE

DETAIL A
SCALE 0.100

<small>THIS DRAWING IS PROPRIETARY AND CONSIDERED CONFIDENTIAL. NO REPRODUCTION MAY BE MADE WITHOUT WRITTEN PERMISSION FROM H32 DESIGN AND DEVELOPMENT LLC. WWW.H32.COM</small>	SIZE: B	DRAWING TITLE: RETAIL KIOSK CUSTOMER	REV: B
	DWG #: H32 - 260 - C	SHEET: 4 OF 6	

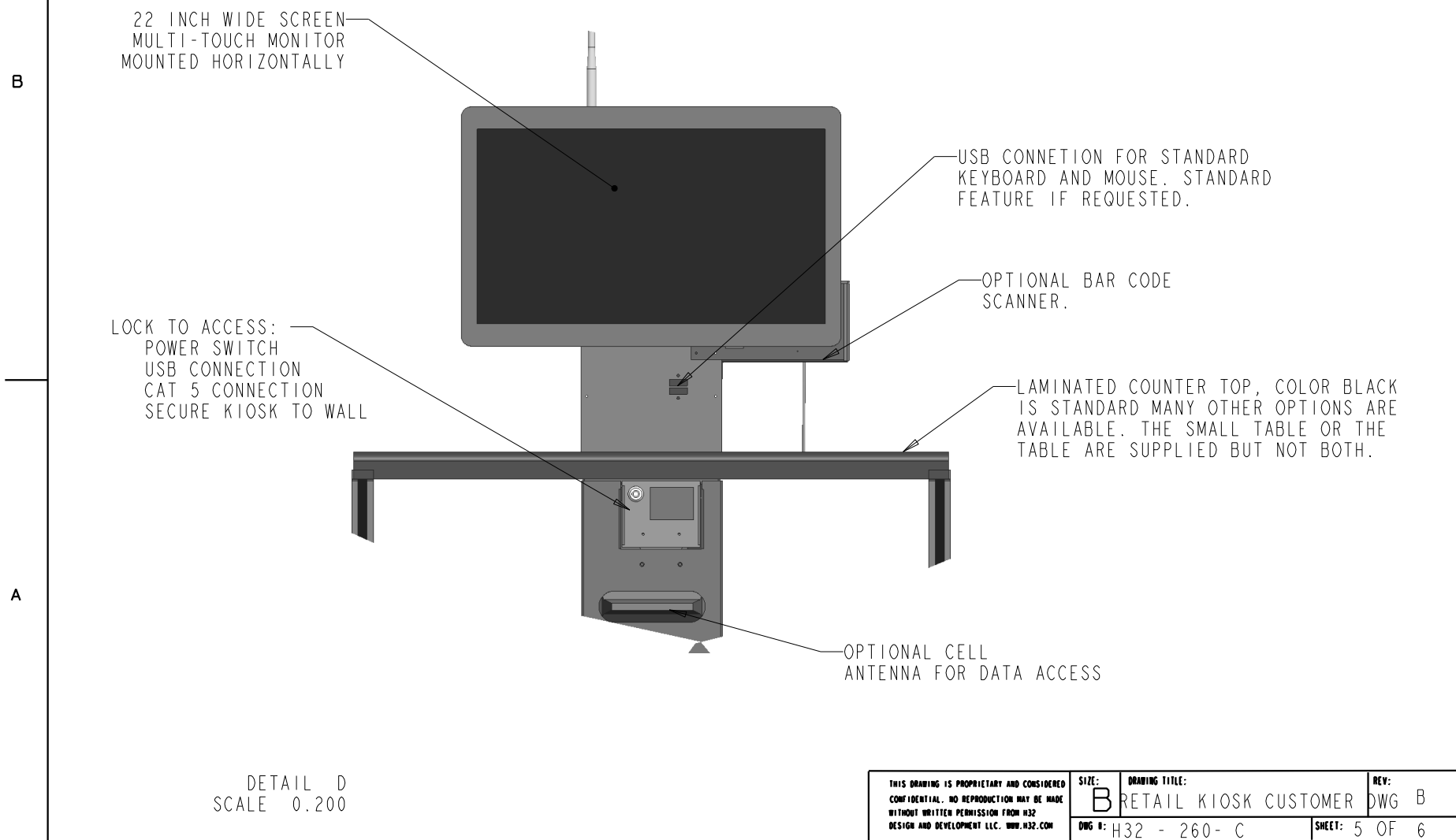
2

11



For questions regarding this drawing or product please contact an Advanced Kiosks technical sales representative.
 Advanced Kiosks | 134 Hall Street, Units F/G, Concord, NH 03301 | 603-865-1000 | www.advancedkiosks.com

ZONE	LTR	DESCRIPTION	DATE	APPROVED



THIS DRAWING IS PROPRIETARY AND CONSIDERED CONFIDENTIAL. NO REPRODUCTION MAY BE MADE WITHOUT WRITTEN PERMISSION FROM H32 DESIGN AND DEVELOPMENT LLC. WWW.H32.COM	SIZE: B	DRAWING TITLE: RETAIL KIOSK CUSTOMER	REV: DWG B
	DWG #: H32 - 260 - C		SHEET: 5 OF 6



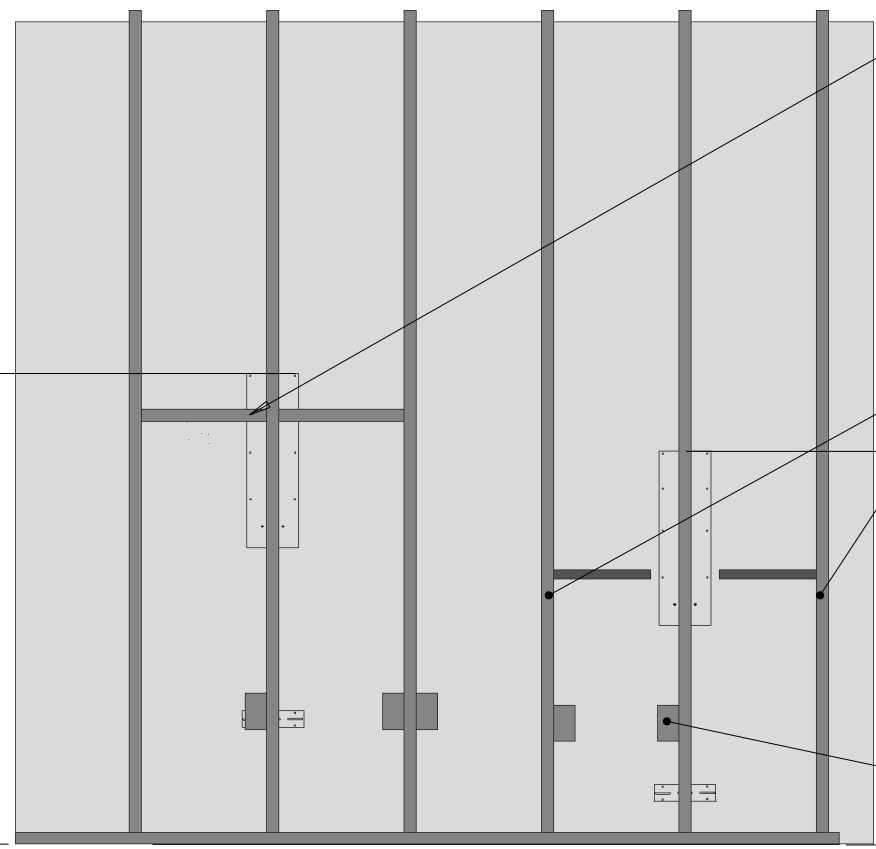
For questions regarding this drawing or product please contact an Advanced Kiosks technical sales representative.
Advanced Kiosks | 134 Hall Street, Units F/G, Concord, NH 03301 | 603-865-1000 | www.advancedkiosks.com

ZONE	LTR	DESCRIPTION	DATE	APPROVED

55.0 RECOMMEND HEIGHT OF THE TOP OF KIOSK MOUNT. THIS WILL PLACE THE TOP OF THE MONITOR AT 64 INCHES

B

A



STUD SUPPORT MAY BE NEEDED FOR WALLS THAT ARE CONSTRUCTED OF 2BY4 STUDS AND NOT FINISHED ON BOTH SIDES. USE A STUD CONNECTOR TO STRENGTH THE WALL. OTHERWISE THE KIOSK MAY ROCK ON THE WALL WHEN TOUCHING THE SCREEN. HEIGHT IS 50 INCHES FROM THE FLOOR

THE TABLE/DESK WILL MOUNT TO THE STUDS ADJACENT TO THE KIOSK ON EITHER SIDE.

46.00, HEIGHT OF WALL MOUNT FOR MOUNTING THE KIOSK FOR CUSTOMER SITTING DOWN. IF THIS IS TO BE A STANDING DESK THE HEIGHT SHOULD BE 55 INCHES.

ELECTRICAL OUTLET SHOWN AT AN AVERAGE HEIGHT.

BACK INSTALLED VIEW WITH HIDDEN DRYWALL

THIS DRAWING IS PROPRIETARY AND CONSIDERED CONFIDENTIAL. NO REPRODUCTION MAY BE MADE WITHOUT WRITTEN PERMISSION FROM H32 DESIGN AND DEVELOPMENT LLC. WWW.H32.COM	SIZE:	DRAWING TITLE:	REV:
	B	RETAIL KIOSK CUSTOMER	DWG B
DWG #:	H32 - 260 - C		SHEET: 6 OF 6

2

11



For questions regarding this drawing or product please contact an Advanced Kiosks technical sales representative.
 Advanced Kiosks | 134 Hall Street, Units F/G, Concord, NH 03301 | 603-865-1000 | www.advancedkiosks.com