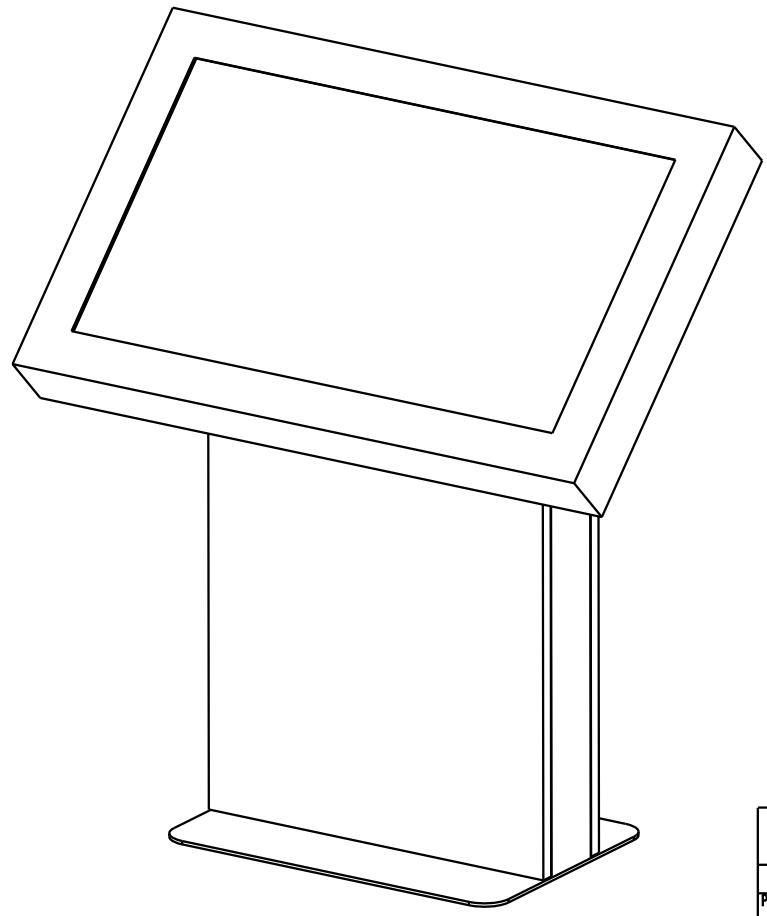


ZONE	LTR	DESCRIPTION	DATE	APPROVED

B



A

NOTES
 THIS DRAWING IS TO COMMUNICATE TO CUSTOMERS
 THE SIZE OF THE DOCUMENT KIOSK FOR GRAPHICAL
 LAMINATES AND MOUNTING POINTS

DO NOT USE FOR MANUFACTURING

THIS IS THE DIMENSIONS FOR THE 46 INCH MONITOR
 OF THE PEDISTAL KIOSKS. THE 55 INCH IS THE SAME
 BASE BUT A LARGER HEAD.

DO NOT SCALE FROM PRINT!		DWG INTERPRETATION: ASME Y14.5M-1994 UNLESS OTHERWISE SPECIFIED:		H32 DESIGN AND DEVELOPMENT LLC, 603-865-1000 PO BOX 234, WILMOT NH 03287, www.H32.com Advanced kiosks is a dba of H32	
INSPECTION		DIMENSIONS IN: INCHES		TITLE: PEDISTAL KIOSK	
PART STATUS:		TOLERANCES: ± .005		SIZE: D	
LEGEND: " CRITICAL DIMENSION " MAJOR DIMENSION " MINOR DIMENSION		SURFACE FINISH: FRACTIONAL: .005 - .015 DECIMAL: .010 ANGLE: ± .010 SURFACE ROUGHNESS: 25		DRAWING NUMBER: H32 - 550 - C	
THIS DRAWING IS PROPRIETARY AND CONSIDERED CONFIDENTIAL. NO REPRODUCTION MAY BE MADE WITHOUT WRITTEN PERMISSION FROM H32 DESIGN AND DEVELOPMENT LLC.		THIRD ANGLE PROJECTION		REV: -	
				SCALE: SHEET: 1 OF 5	

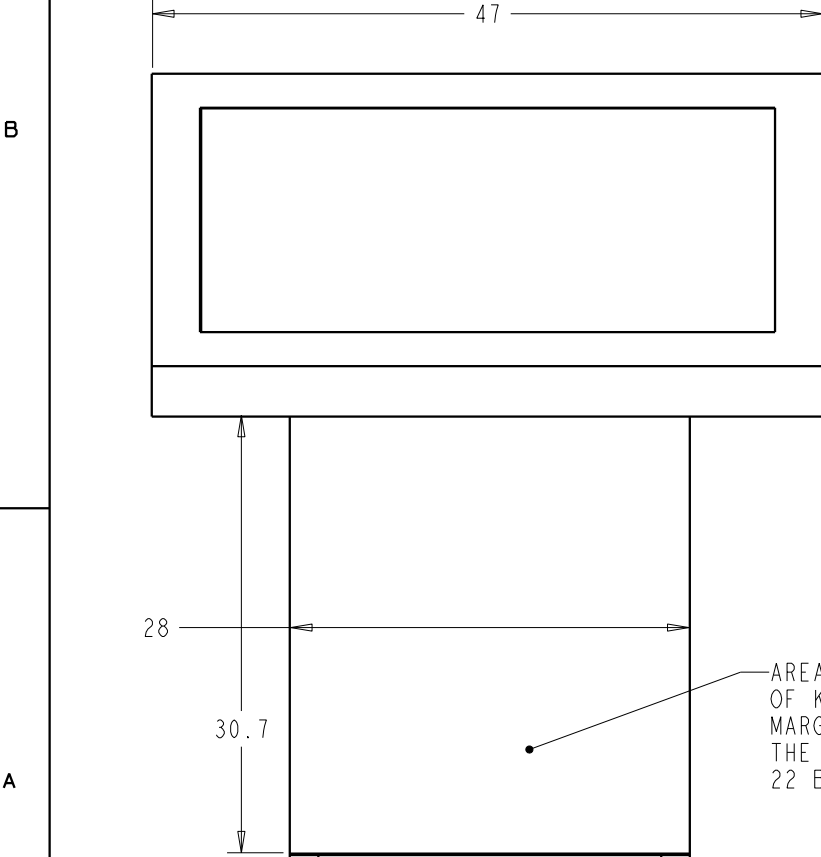
2

1



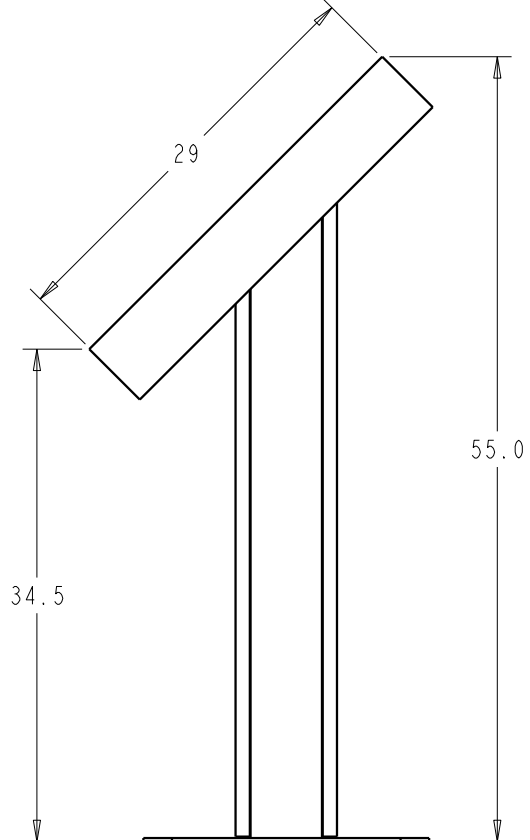
For questions regarding this drawing or product please contact an Advanced Kiosks technical sales representative.
 Advanced Kiosks | 134 Hall Street, Units F/G, Concord, NH 03301 | 603-865-1000 | www.advancedkiosks.com

ZONE	LTR	DESCRIPTION	DATE	APPROVED



FRONT VIEW

AREA FOR GRAPHIC ON FRONT OF KIOSK. WE RECOMMEND A 3.0 MARGIN BETWEEN THE GRAPHIC AND THE EDGE. MAKING THE GRAPHIC 22 BY 23 ON THE FRONT.



SIDE VIEW

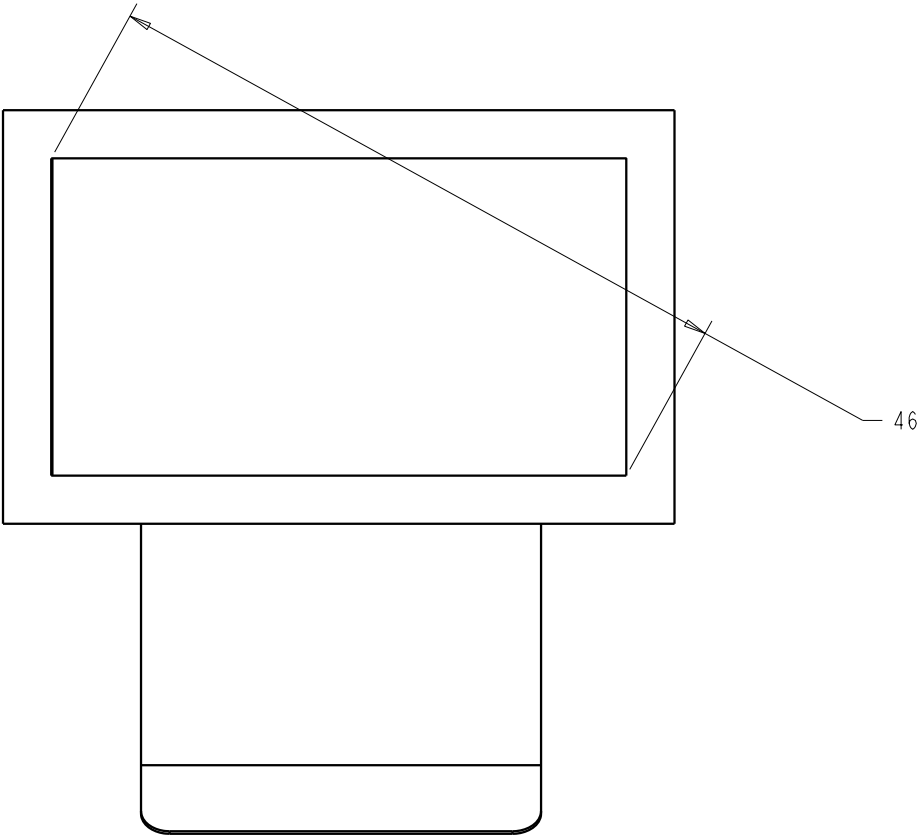
THIS DRAWING IS PROPRIETARY AND CONSIDERED CONFIDENTIAL. NO REPRODUCTION MAY BE MADE WITHOUT WRITTEN PERMISSION FROM H32 DESIGN AND DEVELOPMENT LLC. WWW.H32.COM	SIZE: B	DRAWING TITLE: PEDISTAL KIOSK	REV: -
	DWG #: H32 - 550 - C	SHEET: 2 OF 5	



For questions regarding this drawing or product please contact an Advanced Kiosks technical sales representative.
 Advanced Kiosks | 134 Hall Street, Units F/G, Concord, NH 03301 | 603-865-1000 | www.advancedkiosks.com

ZONE	LTR	DESCRIPTION	DATE	APPROVED

B



46

A

MONITOR FACE VIEW

2

11

THIS DRAWING IS PROPRIETARY AND CONSIDERED CONFIDENTIAL. NO REPRODUCTION MAY BE MADE WITHOUT WRITTEN PERMISSION FROM H32 DESIGN AND DEVELOPMENT LLC. WWW.H32.COM	SIZE: B	DRAWING TITLE: PEDISTAL KIOSK	REV: -
	DWG #: H32 - 550 - C	SHEET: 3 OF 5	



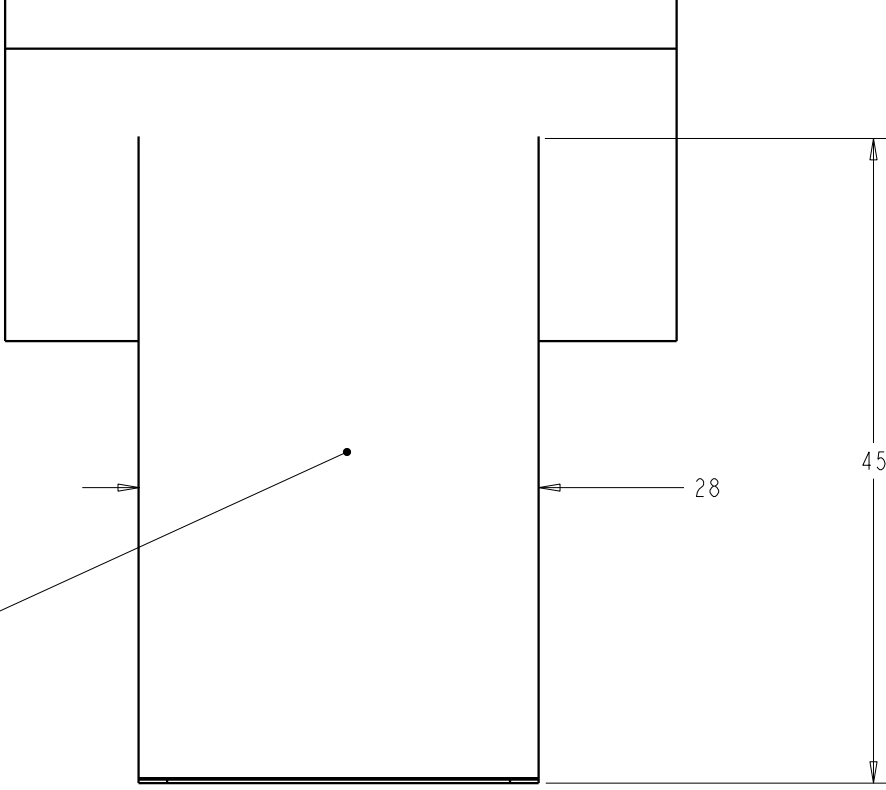
For questions regarding this drawing or product please contact an Advanced Kiosks technical sales representative.
 Advanced Kiosks | 134 Hall Street, Units F/G, Concord, NH 03301 | 603-865-1000 | www.advancedkiosks.com

ZONE	LTR	DESCRIPTION	DATE	APPROVED

B

A

AREA FOR GRAPHIC ON BACK OF KIOSK. WE RECOMMEND A 3.0 MARGIN BETWEEN THE GRAPHIC AND THE EDGE. MAKEING THE GRAPHIC 22 BY 36 ON THE BACK.



BACK VIEW

<small>THIS DRAWING IS PROPRIETARY AND CONSIDERED CONFIDENTIAL. NO REPRODUCTION MAY BE MADE WITHOUT WRITTEN PERMISSION FROM H32 DESIGN AND DEVELOPMENT LLC. WWW.H32.COM</small>	<small>SIZE:</small> B	<small>DRAWING TITLE:</small> PEDISTAL KIOSK	<small>REV:</small> -
	<small>DWG #:</small> H32 - 550 - C	<small>SHEET:</small> 4 OF 5	

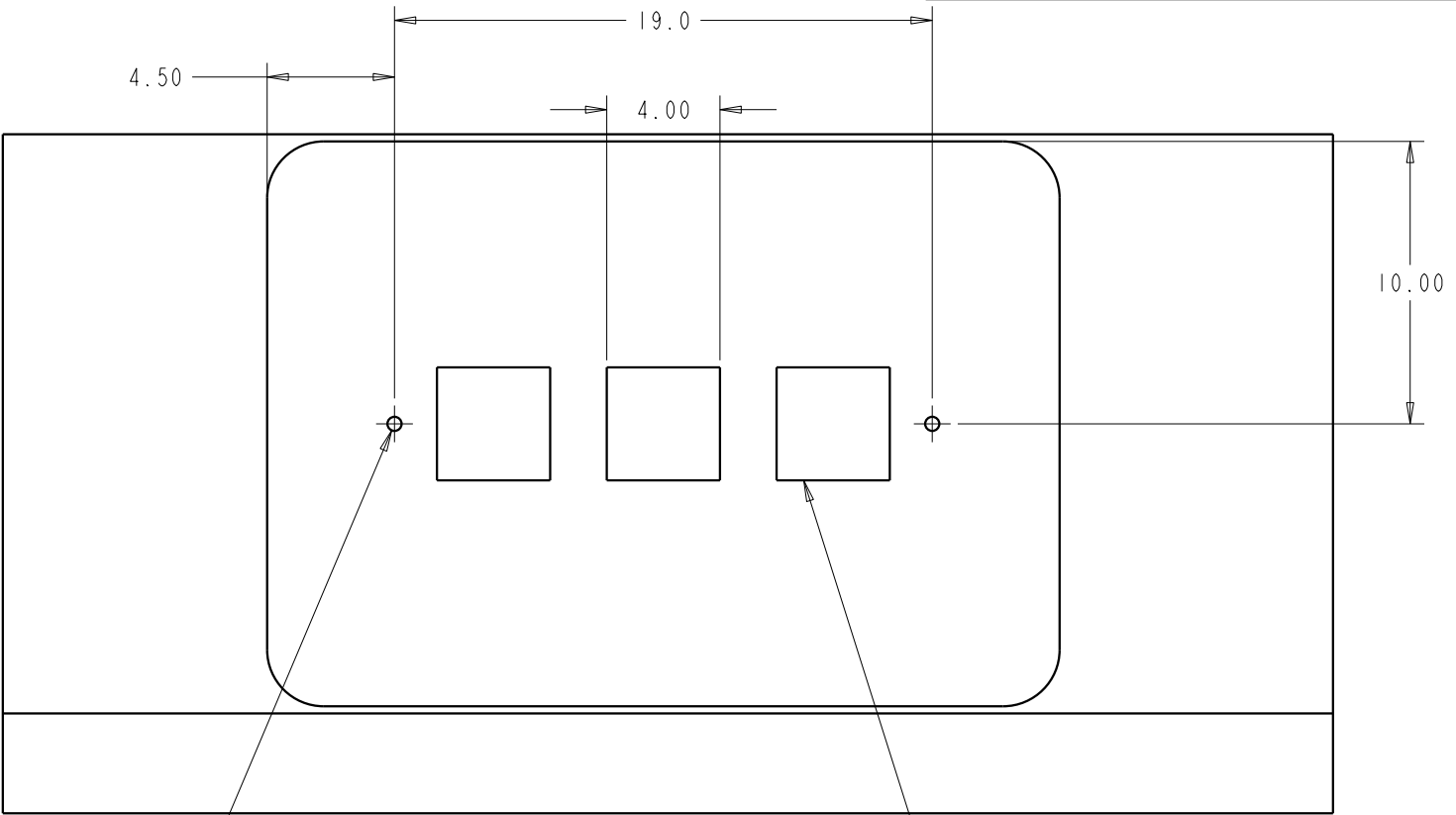


For questions regarding this drawing or product please contact an Advanced Kiosks technical sales representative.
 Advanced Kiosks | 134 Hall Street, Units F/G, Concord, NH 03301 | 603-865-1000 | www.advancedkiosks.com

ZONE	LTR	DESCRIPTION	DATE	APPROVED

B

A



Ø.50, HOLE FOR BOLTING THE KIOSK IN PLACE.

BOTTOM VIEW

ACCESS HOLES FOR FLOOR OUTLETS.

THIS DRAWING IS PROPRIETARY AND CONSIDERED CONFIDENTIAL. NO REPRODUCTION MAY BE MADE WITHOUT WRITTEN PERMISSION FROM H32 DESIGN AND DEVELOPMENT LLC. WWW.H32.COM	SIZE: B	DRAWING TITLE: PEDISTAL KIOSK	REV: -
	DWG #: H32 - 550 - C	SHEET: 5 OF 5	

2

11



For questions regarding this drawing or product please contact an Advanced Kiosks technical sales representative.
 Advanced Kiosks | 134 Hall Street, Units F/G, Concord, NH 03301 | 603-865-1000 | www.advancedkiosks.com