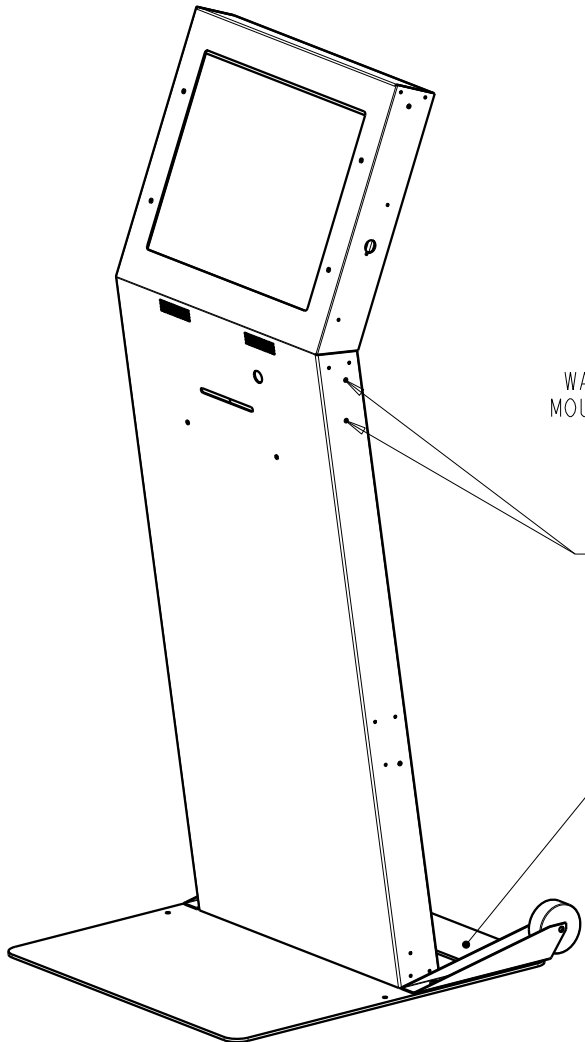


| ZONE | LTR | DESCRIPTION | DATE | APPROVED |
|------|-----|-------------|------|----------|
|      |     |             |      |          |

NOTES:  
 1. THIS DRAWING IS FOR CUSTOMERS FOR CUSTOMERS USE ONLY.  
 THIS DRAWING CAN NOT BE USED FOR MANUFACTURING.

B

A



WALL  
MOUNT BRACKET

BLIND THREADED HOLES FOR KEYBOARD OPTION

FLOOR MOUNT

Advanced Kiosks  
 603-865-1000

|  |  |   |  |   |  |
|--|--|---|--|---|--|
| <b>DO NOT SCALE FROM PRINT!</b>  |  | DWG INTERPRETATION: ASME Y14.5M-1994<br>UNLESS OTHERWISE SPECIFIED: |  | H32 DESIGN AND DEVELOPMENT LLC<br>39 MTN VIEW RD, WILMOT NH 03287<br>603-526-9278, www.H32eng.com |  |
| INSPECTION   |  | DIMENSIONS IN: INCHES   |  | TITLE:  |  |
| PART STATUS:   |  | TOL. SURF. FIN. PRO. SURF. FIN. PRO. SURF. FIN. PRO.                |  | FREE STANDING 19 KIOSK  |  |
| LEGEND:  |  | SURFACE ROUGHNESS:  |  | SIZE:   |  |
| " CRITICAL DIMENSION   |  | ± .005  |  | DRAWING NUMBER:   |  |
| " MAJOR DIMENSION  |  | ± .010  |  | H32 - 90 - C  |  |
| " MINOR DIMENSION  |  | ± .015  |  | REV: C  |  |
| THIS DRAWING IS PROPRIETARY AND CONSIDERED CONFIDENTIAL. NO REPRODUCTION MAY BE MADE WITHOUT WRITTEN PERMISSION FROM H32 DESIGN AND DEVELOPMENT LLC. |  | THIRD ANGLE PROJECTION  |  | SCALE:  |  |
|  |  |   |  | SHEET: 1 OF 7   |  |

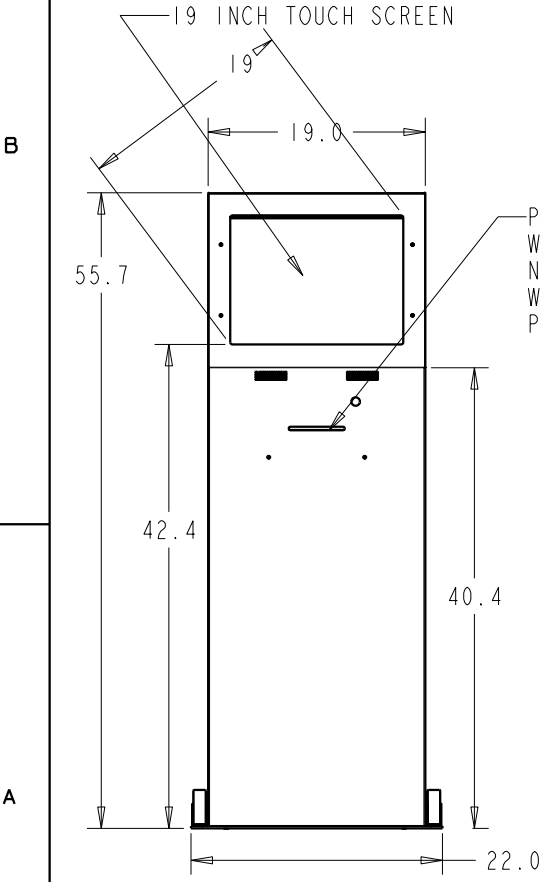
2

1



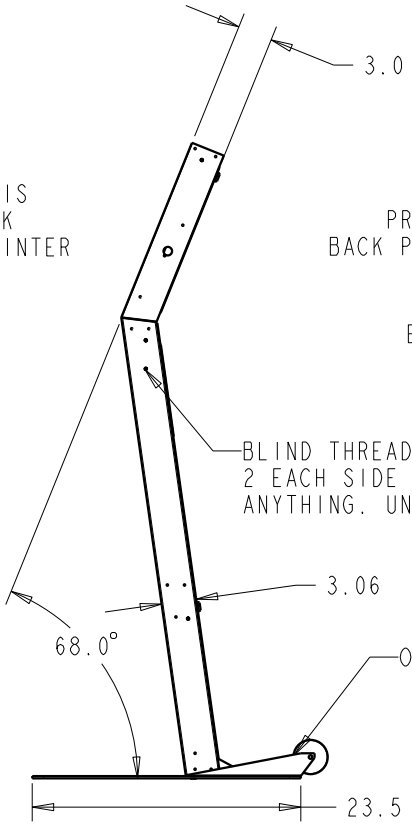
For questions regarding this drawing or product please contact an Advanced Kiosks technical sales representative.  
 Advanced Kiosks | 134 Hall Street, Units F/G, Concord, NH 03301 | 603-865-1000 | www.advancedkiosks.com

| ZONE | LTR | DESCRIPTION | DATE | APPROVED |
|------|-----|-------------|------|----------|
|      |     |             |      |          |



FRONT VIEW

PRINTER SLOT  
WHEN PRINTER IS  
NOT USED BLOCK  
WITH FRONT PRINTER  
PANEL.



SIDE VIEW

BLIND THREADED HOLES  
2 EACH SIDE FOR MOUNTING  
ANYTHING. UNDER 5 LBS.

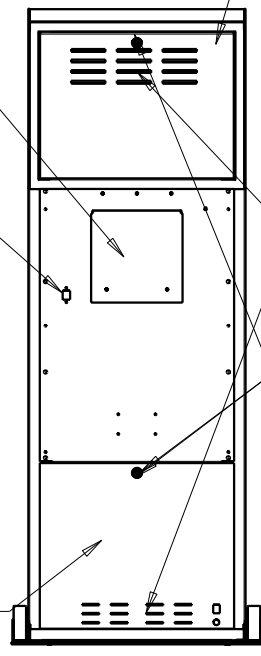
PRINTER ACCESS.  
BACK PRINTER PANEL.

EXTERNAL USB  
PORTS

OPTIONAL  
WHEELS

COMPUTER  
ACCESS DOOR

MONITOR ACCESS DOOR



BACK VIEW

COOLING  
LOVERS

LOCKS

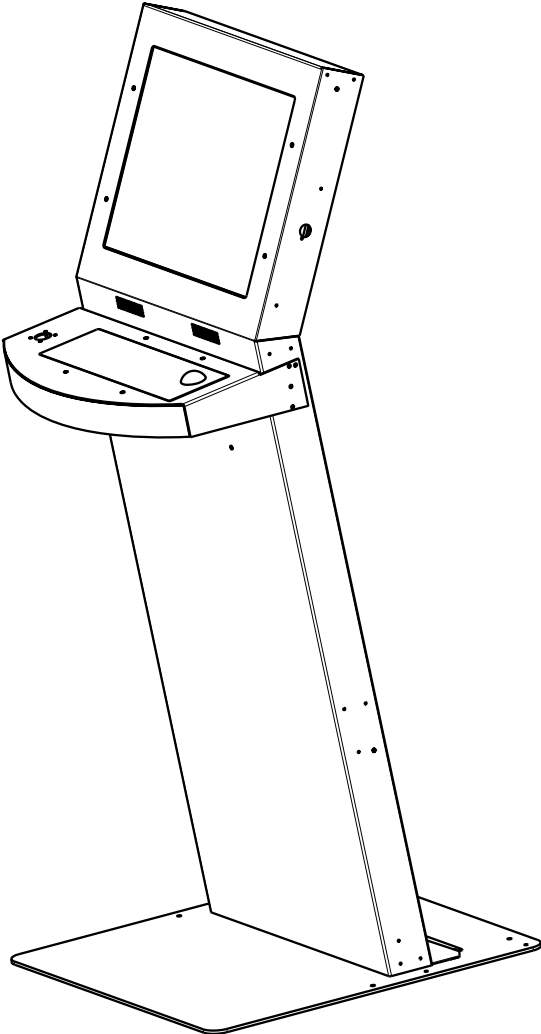
|   |                     |  |           |
|---|---------------------|--|-----------|
| THIS DRAWING IS PROPRIETARY AND CONSIDERED<br>CONFIDENTIAL. NO REPRODUCTION MAY BE MADE<br>WITHOUT WRITTEN PERMISSION FROM H32<br>DESIGN AND DEVELOPMENT LLC. | SIZE:<br><b>B</b>   | DRAWING TITLE:<br>FREE STANDING 19 KIOSK | REV:<br>C |
|   | DWG #: H32 - 90 - C | SHEET: 2 OF 7                            |           |



For questions regarding this drawing or product please contact an Advanced Kiosks technical sales representative.  
Advanced Kiosks | 134 Hall Street, Units F/G, Concord, NH 03301 | 603-865-1000 | www.advancedkiosks.com

| ZONE | LTR | DESCRIPTION | DATE | APPROVED |
|------|-----|-------------|------|----------|
|      |     |             |      |          |

B



A

FREESTANDING KIOSK WITH KEYBOARD OPTION.

2

11

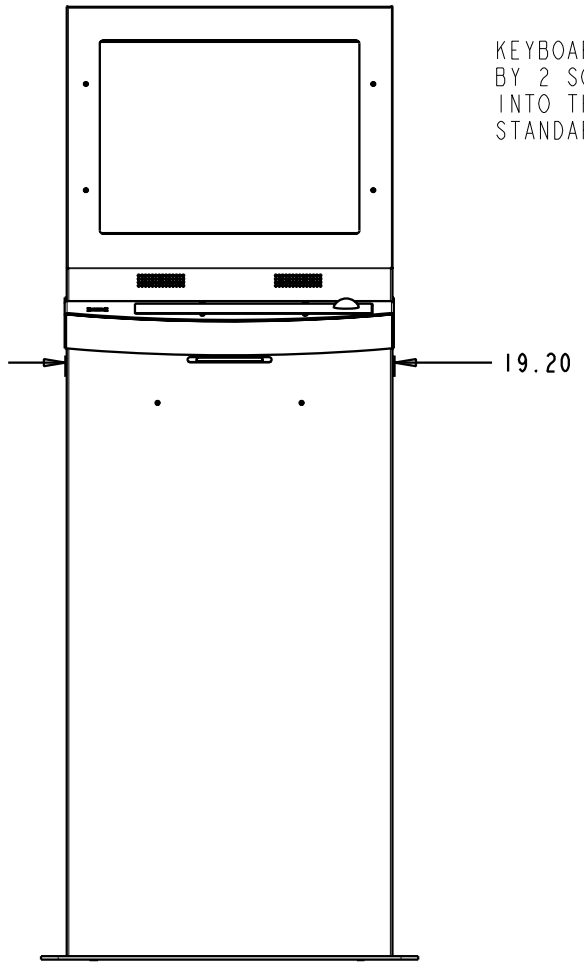
|   |                     |  |        |
|---|---------------------|--|--------|
| THIS DRAWING IS PROPRIETARY AND CONSIDERED<br>CONFIDENTIAL. NO REPRODUCTION MAY BE MADE<br>WITHOUT WRITTEN PERMISSION FROM H32<br>DESIGN AND DEVELOPMENT LLC. | SIZE: B             | DRAWING TITLE:<br>FREE STANDING 19 KIOSK | REV: C |
|   | DWG #: H32 - 90 - C | SHEET: 3 OF 7                            |        |



For questions regarding this drawing or product please contact an Advanced Kiosks technical sales representative.  
 Advanced Kiosks | 134 Hall Street, Units F/G, Concord, NH 03301 | 603-865-1000 | www.advancedkiosks.com

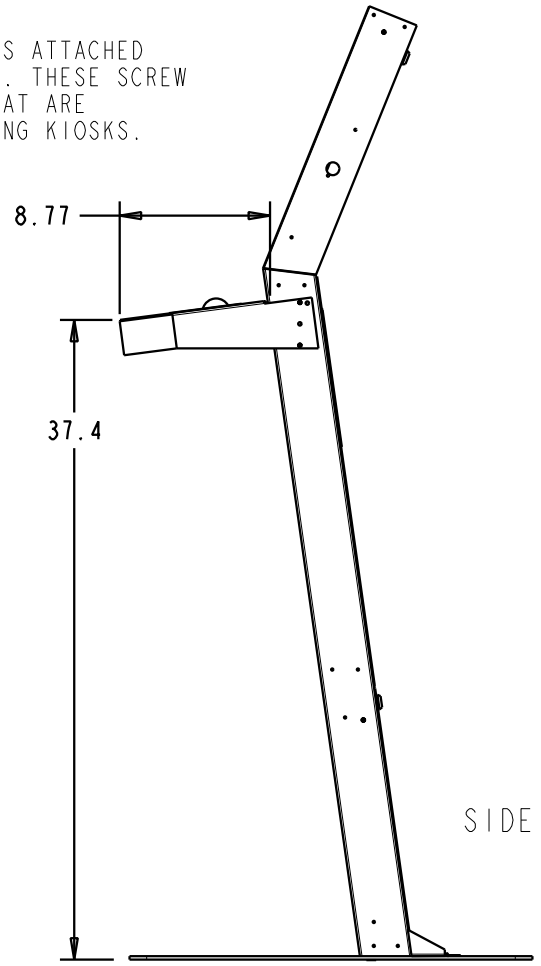
| ZONE | LTR | DESCRIPTION | DATE | APPROVED |
|------|-----|-------------|------|----------|
|      |     |             |      |          |

B



FRONT VIEW

KEYBOARD OPTION KEYBOARD IS ATTACHED BY 2 SCREWS ON EITHER SIDE. THESE SCREW INTO THE BLIND THREADED THAT ARE STANDARD ON ALL FREESTANDING KIOSKS.



SIDE VIEW

A

|  |              |                        |        |
|--|--------------|------------------------|--------|
| THIS DRAWING IS PROPRIETARY AND CONSIDERED CONFIDENTIAL. NO REPRODUCTION MAY BE MADE WITHOUT WRITTEN PERMISSION FROM H32 DESIGN AND DEVELOPMENT LLC. | SIZE:        | DRAWING TITLE:         | REV:   |
|  | B            | FREE STANDING 19 KIOSK | C      |
| DWG #:   | H32 - 90 - C | SHEET:                 | 4 OF 7 |

2

11

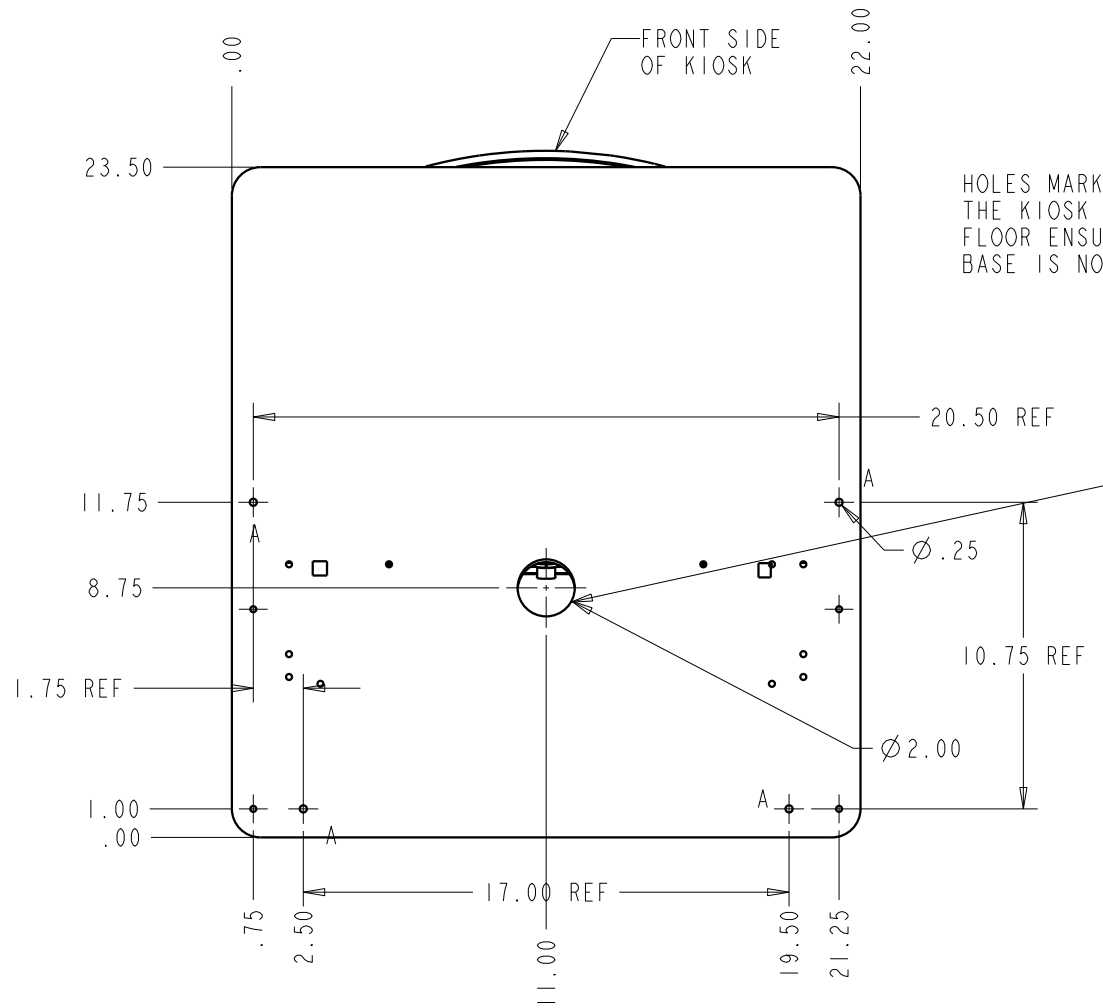


For questions regarding this drawing or product please contact an Advanced Kiosks technical sales representative.  
 Advanced Kiosks | 134 Hall Street, Units F/G, Concord, NH 03301 | 603-865-1000 | www.advancedkiosks.com

| ZONE | LTR | DESCRIPTION | DATE | APPROVED |
|------|-----|-------------|------|----------|
|      |     |             |      |          |

B

A



HOLES MARKED "A" ARE .250 HOLES FOR BOLTING THE KIOSK TO THE FLOOR. WHEN BOLTING TO THE FLOOR ENSURE THAT THE FRONT OF THE BASE IS NOT A TRIPPING HAZZARD.

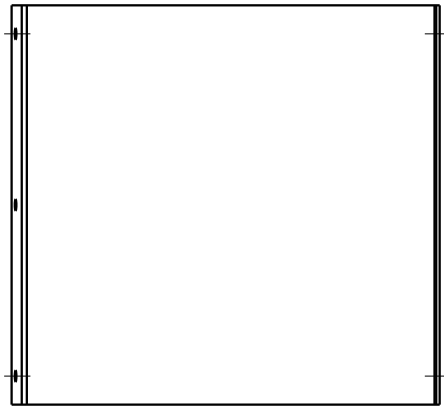
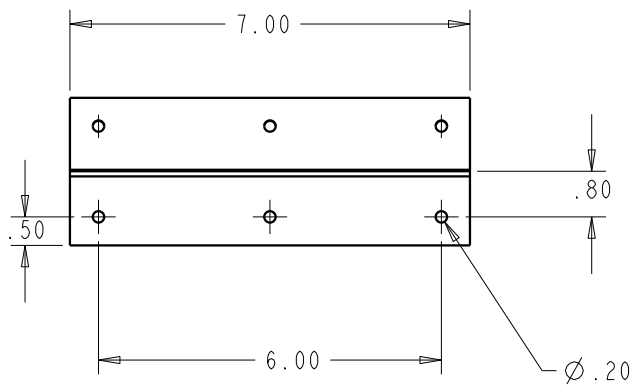
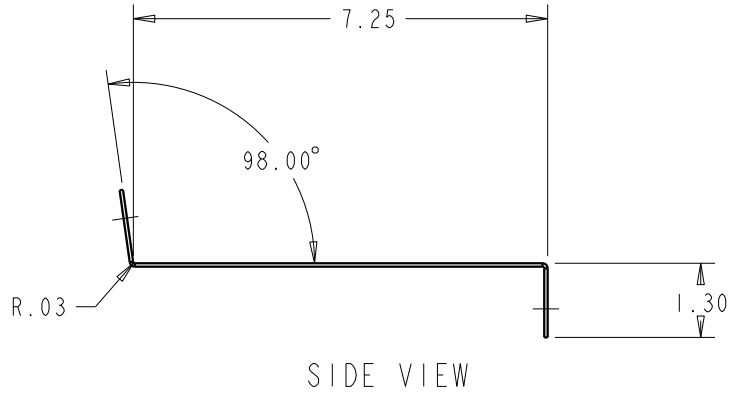
BOTTOM VIEW

|  |                     |                                       |        |
|--|---------------------|---------------------------------------|--------|
| THIS DRAWING IS PROPRIETARY AND CONSIDERED CONFIDENTIAL. NO REPRODUCTION MAY BE MADE WITHOUT WRITTEN PERMISSION FROM H32 DESIGN AND DEVELOPMENT LLC. | SIZE: B             | DRAWING TITLE: FREE STANDING 19 KIOSK | REV: C |
|  | DWG #: H32 - 90 - C | SHEET: 5 OF 7                         |        |



For questions regarding this drawing or product please contact an Advanced Kiosks technical sales representative.  
 Advanced Kiosks | 134 Hall Street, Units F/G, Concord, NH 03301 | 603-865-1000 | www.advancedkiosks.com

| ZONE | LTR | DESCRIPTION | DATE | APPROVED |
|------|-----|-------------|------|----------|
|      |     |             |      |          |



Read FreeStanding Kiosk user manual before installing the Wall Mount Bracket. This must be bolted into a wall stud able to take at least 200lbs of pulling force. Call Technical support if you have any questions.

WALL MOUNT

|  |                     |                                       |        |
|--|---------------------|---------------------------------------|--------|
| THIS DRAWING IS PROPRIETARY AND CONSIDERED CONFIDENTIAL. NO REPRODUCTION MAY BE MADE WITHOUT WRITTEN PERMISSION FROM H32 DESIGN AND DEVELOPMENT LLC. | SIZE: B             | DRAWING TITLE: FREE STANDING 19 KIOSK | REV: C |
|  | DWG #: H32 - 90 - C | SHEET: 6 OF 7                         |        |

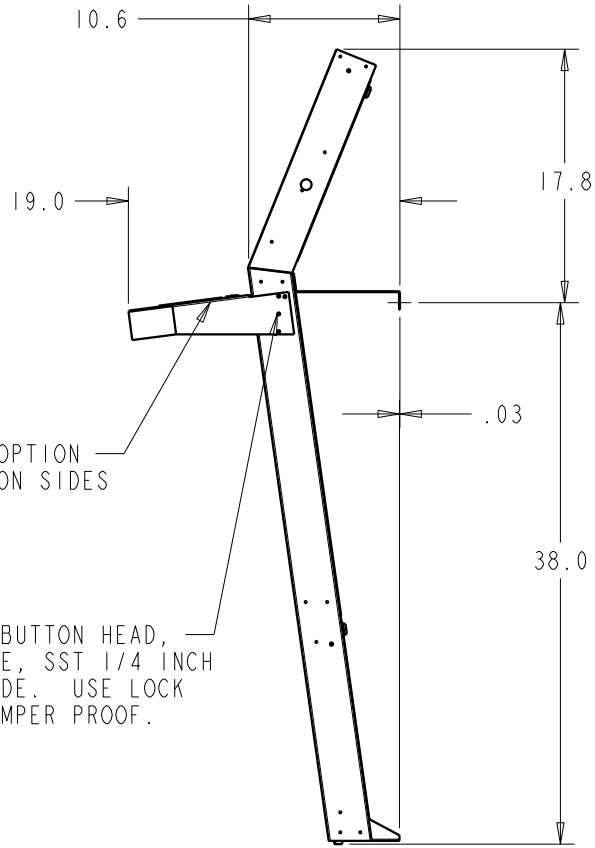


For questions regarding this drawing or product please contact an Advanced Kiosks technical sales representative.  
 Advanced Kiosks | 134 Hall Street, Units F/G, Concord, NH 03301 | 603-865-1000 | www.advancedkiosks.com

| ZONE | LTR | DESCRIPTION | DATE | APPROVED |
|------|-----|-------------|------|----------|
|      |     |             |      |          |

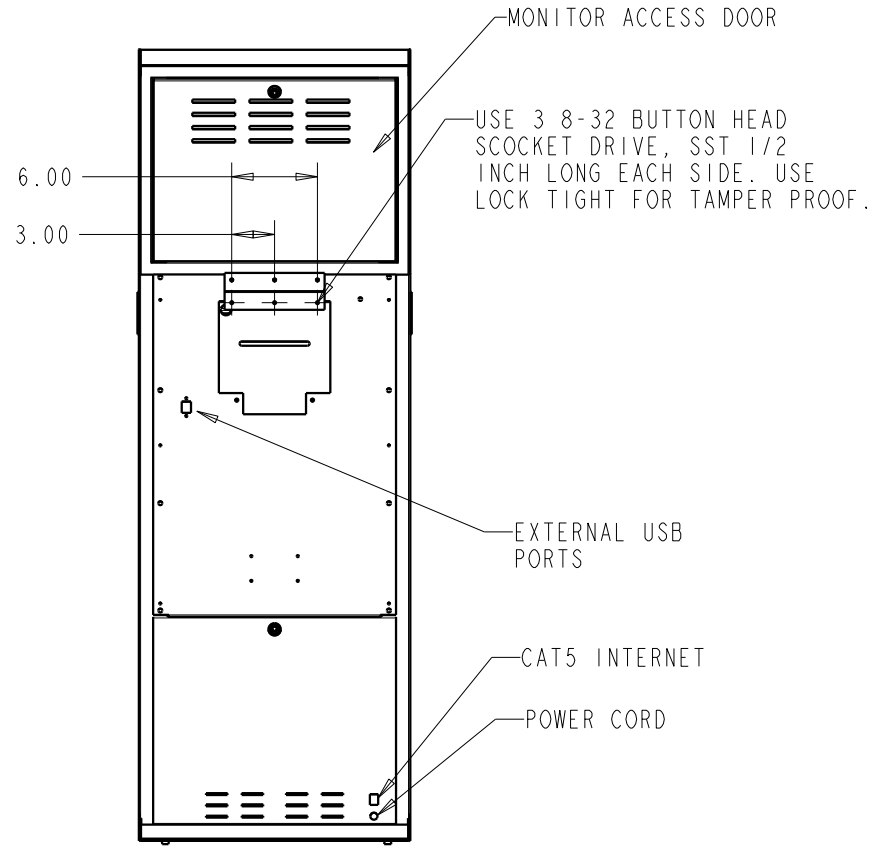
B

A



SIDE VIEW

USE 2, 8-32 BUTTON HEAD, SOCKET DRIVE, SST 1/4 INCH LONG EACH SIDE. USE LOCK TIGHT FOR TAMPER PROOF.



BACK VIEW

FREESTANDING WITH WALL MOUNT

|  |              |                        |        |
|--|--------------|------------------------|--------|
| THIS DRAWING IS PROPRIETARY AND CONSIDERED CONFIDENTIAL. NO REPRODUCTION MAY BE MADE WITHOUT WRITTEN PERMISSION FROM H32 DESIGN AND DEVELOPMENT LLC. | SIZE:        | DRAWING TITLE:         | REV:   |
|  | B            | FREE STANDING 19 KIOSK | C      |
| DWG #:   | H32 - 90 - C | SHEET:                 | 7 OF 7 |

2

11



For questions regarding this drawing or product please contact an Advanced Kiosks technical sales representative.  
 Advanced Kiosks | 134 Hall Street, Units F/G, Concord, NH 03301 | 603-865-1000 | www.advancedkiosks.com