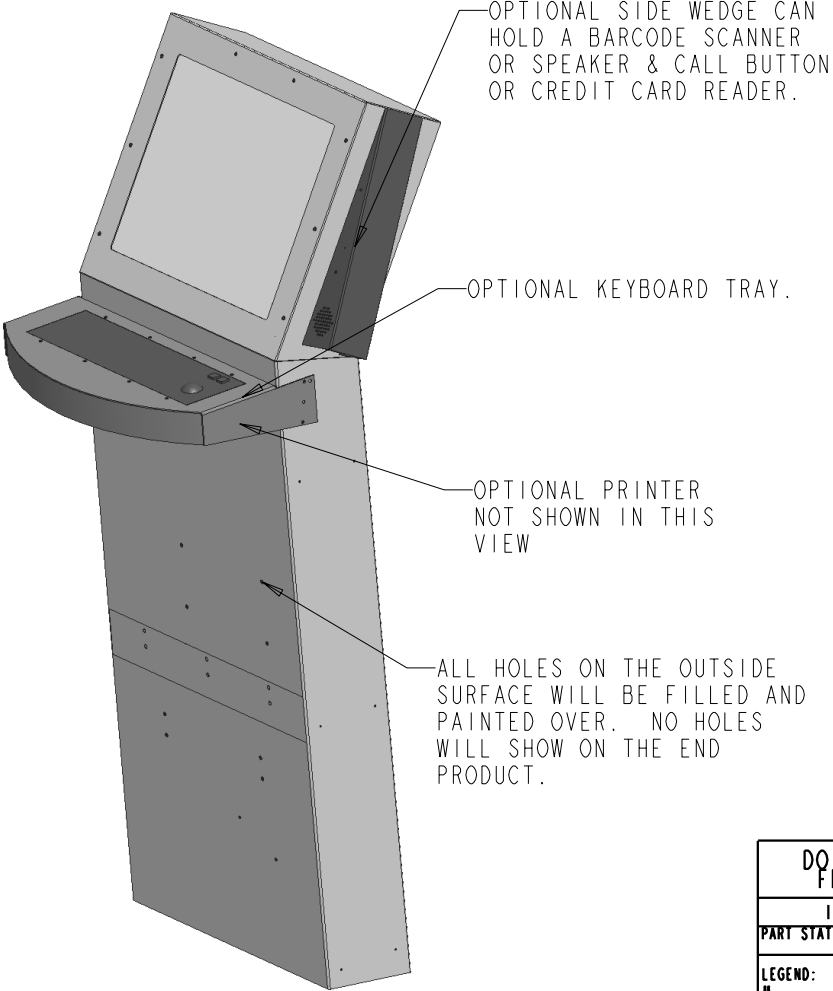


ZONE	LTR	DESCRIPTION	DATE	APPROVED

B

A



OPTIONAL SIDE WEDGE CAN HOLD A BARCODE SCANNER OR SPEAKER & CALL BUTTON OR CREDIT CARD READER.

OPTIONAL KEYBOARD TRAY.

OPTIONAL PRINTER NOT SHOWN IN THIS VIEW

ALL HOLES ON THE OUTSIDE SURFACE WILL BE FILLED AND PAINTED OVER. NO HOLES WILL SHOW ON THE END PRODUCT.

NOTES

1. THIS IS A CUSTOMER DRAWING DO NOT REFERENCE FOR MANUFACTURING. IT IS FOR CUSTOMERS TO REFERENCE ONLY.
2. THIS IS A ENGINEERING DRAWING OF A SOLID MODEL OF THE ENVIRO KIOSK. THERE ARE MARKS AND FEATURS ARE SHOWN THAT ARE NOT VISABLE ON THE FINAL PRODUCT.
3. THIS DRAWING IS TO COMMUNICATE TO CUSTOMERS THE SIZE OF THE ENVIRO KIOSK FOR GRAPHICAL LAMINATES, AND MOUNTING POINTS.
4. THE ENVIRO KIOSK IS AN OUTDOOR KIOSK THAT IS DESIGNED TO BE BOLTED DOWN TO A PAD WHERE THE POWER IS BROUGHT UP FROM THE BOTTOM. ALL ELECTRICAL WORK SHOULD BE DONE BY A CERTIFIED ELECTRICAN AND DONE TO CODE.
5. WHILE THE MONITOR IS HIGH ENOUGH FOR ANY PERSON TO USE IT NO NOT LOW ENOUGH TO BE ADA COMPLIANTE. IF ADA COMPLIANCE IS NEEDED THE KEYBOARD OPTION IS NEEDED.
6. THE MONITOR IS SEALED IN THE HEAD OF THE KIOSK.
7. A BASE IS PROVIDED TO HELP MAKE INSTALLATION EASIER. THE BASE MUST BE REMOVED FOR THE KIOSK TO BE MOUNTED.

DO NOT SCALE FROM PRINT!		DWG INTERPRETATION: ASME Y14.5M-1994 UNLESS OTHERWISE SPECIFIED:		H32 DESIGN AND DEVELOPMENT LLC, 603-865-1000 PO BOX 234, WILMOT NH 03287, www.H32.com Advanced kiosks is a dba of H32	
INSPECTION		DIMENSIONS IN: INCHES		TITLE: ENVIRO KIOSK CUSTOMER DWG	
PART STATUS:		TOLERANCES: ± .01		SIZE: D	
LEGEND: " CRITICAL DIMENSION " MAJOR DIMENSION " MINOR DIMENSION		SURFACE FINISH: FRACTIONAL: .005-.015 DECIMAL: .010-.015 ANGLES: ± .1° SURFACE ROUGHNESS: 125		DRAWING NUMBER: H32-90-100	
THIS DRAWING IS PROPRIETARY AND CONSIDERED CONFIDENTIAL. NO REPRODUCTION MAY BE MADE WITHOUT WRITTEN PERMISSION FROM H32 DESIGN AND DEVELOPMENT LLC.		THIRD ANGLE PROJECTION		REV: F	
				SCALE: SHEET: 1 OF 7	

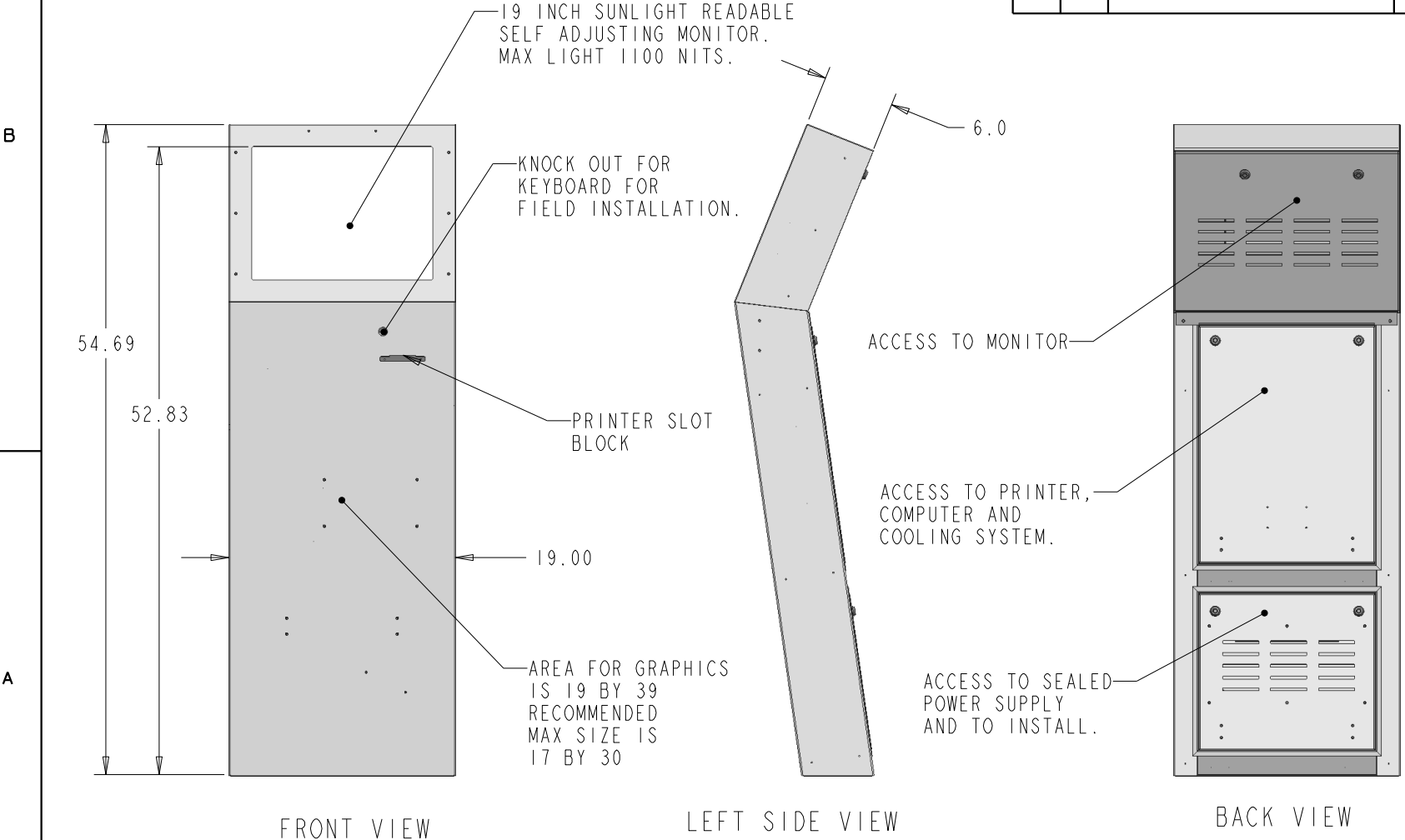
2

1



For questions regarding this drawing or product please contact an Advanced Kiosks technical sales representative.
Advanced Kiosks | 134 Hall Street, Units F/G, Concord NH 03301 | 603-865-1000 | www.advancedkiosks.com

ZONE	LTR	DESCRIPTION	DATE	APPROVED



ENVIRO KIOSK NO OPTION

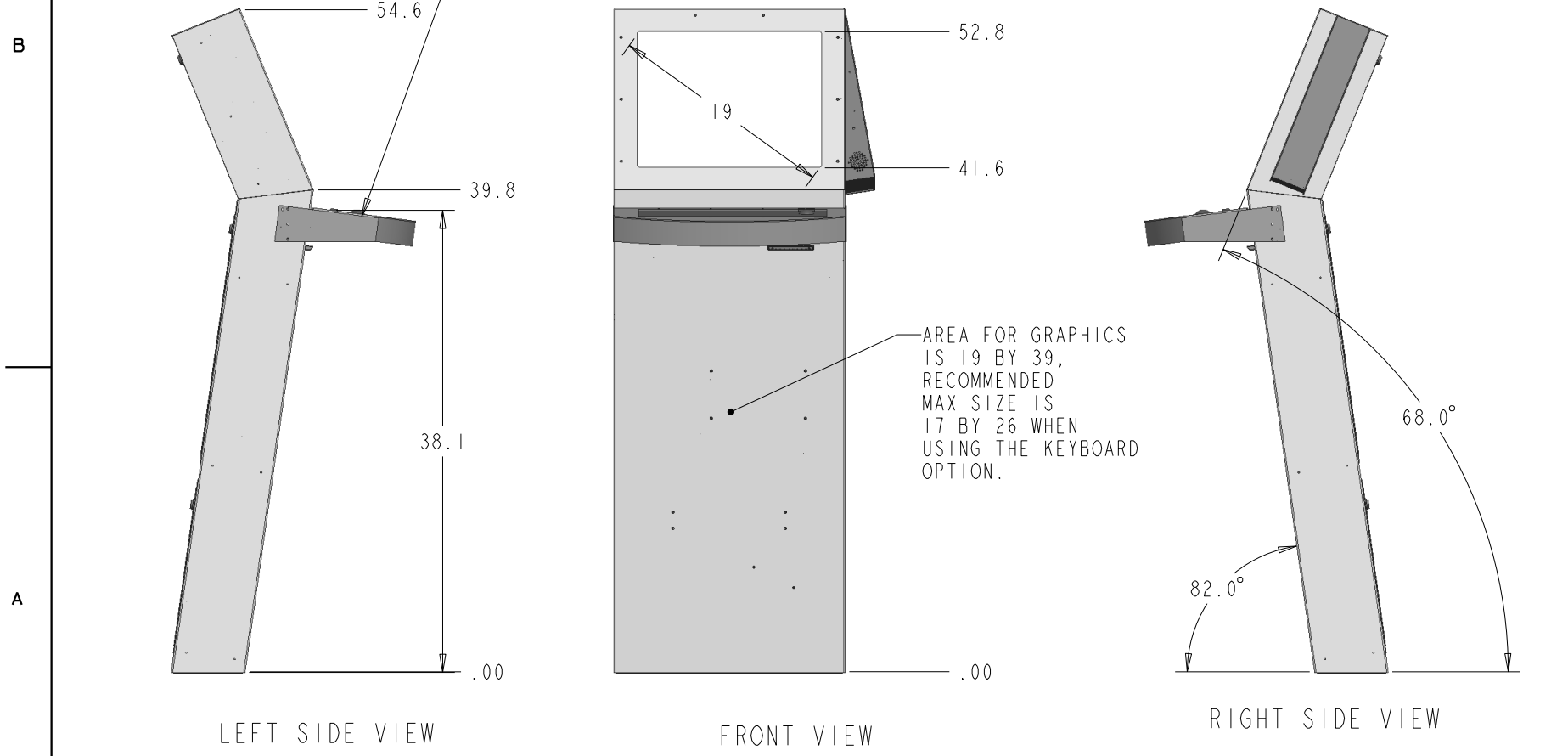
<small>THIS DRAWING IS PROPRIETARY AND CONSIDERED CONFIDENTIAL. NO REPRODUCTION MAY BE MADE WITHOUT WRITTEN PERMISSION FROM H32 DESIGN AND DEVELOPMENT LLC. WWW.H32.COM</small>	SIZE: B	DRAWING TITLE: ENVIRO KIOSK CUS DWG	REV: F
	DWG #: H32-90-100	SHEET: 2 OF 7	



For questions regarding this drawing or product please contact an Advanced Kiosks technical sales representative.
 Advanced Kiosks | 134 Hall Street, Units F/G, Concord NH 03301 | 603-865-1000 | www.advancedkiosks.com

ZONE	LTR	DESCRIPTION	DATE	APPROVED

KEYBOARD OPTION, FULL METAL KEYBOARD
 ALL KEYS SEALED WITH 2.0 INCH
 DIAMETER TRACK BALL. ALL KEYS ARE
 BACK LITE.



WITH KEYBOARD OPTION

THIS DRAWING IS PROPRIETARY AND CONSIDERED CONFIDENTIAL. NO REPRODUCTION MAY BE MADE WITHOUT WRITTEN PERMISSION FROM H32 DESIGN AND DEVELOPMENT LLC. WWW.H32.COM	SIZE: B	DRAWING TITLE: ENVIRO KIOSK CUS DWG	REV: D
	DWG #: H32-90-100	SHEET: 3 OF 7	

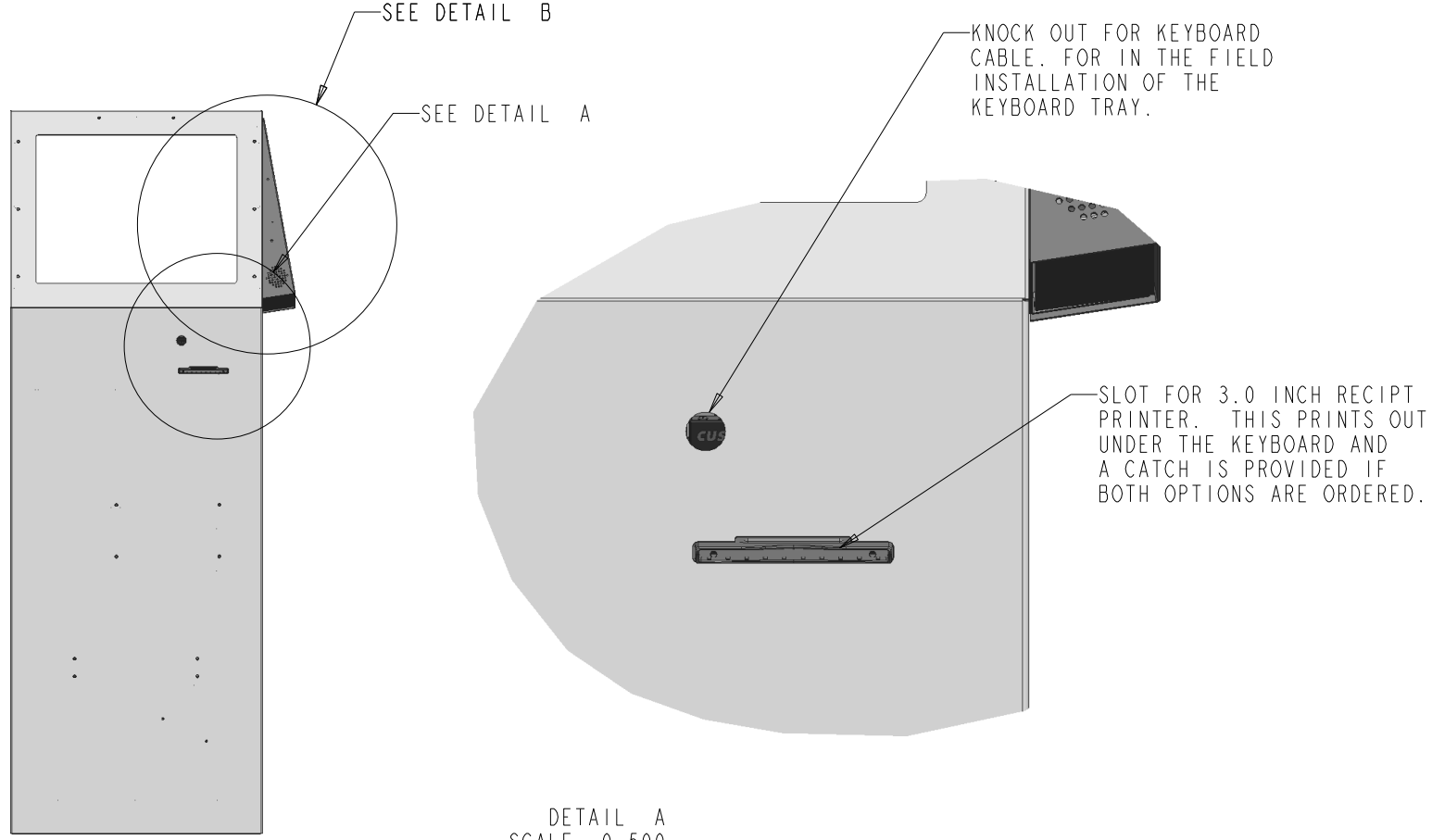


For questions regarding this drawing or product please contact an Advanced Kiosks technical sales representative.
 Advanced Kiosks | 134 Hall Street, Units F/G, Concord, NH 03301 | 603-865-1000 | www.advancedkiosks.com

ZONE	LTR	DESCRIPTION	DATE	APPROVED

B

A



FRONT VIEW

DETAIL A
SCALE 0.500

<small>THIS DRAWING IS PROPRIETARY AND CONSIDERED CONFIDENTIAL. NO REPRODUCTION MAY BE MADE WITHOUT WRITTEN PERMISSION FROM H32 DESIGN AND DEVELOPMENT LLC. WWW.H32.COM</small>	<small>SIZE:</small> B	<small>DRAWING TITLE:</small> ENVIRO KIOSK CUS DWG	<small>REV:</small> F
	<small>DWG #:</small> H32-90-100	<small>SHEET:</small> 5 OF 7	

2

11

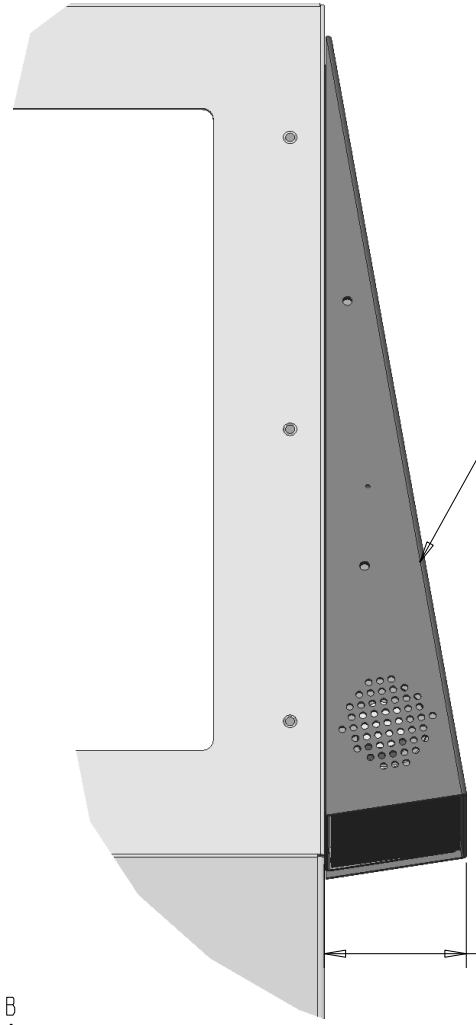


For questions regarding this drawing or product please contact an Advanced Kiosks technical sales representative.
 Advanced Kiosks | 134 Hall Street, Units F/G, Concord, NH 03301 | 603-865-1000 | www.advancedkiosks.com

ZONE	LTR	DESCRIPTION	DATE	APPROVED

B

A



OPTIONAL WEDGE CAN BE CONFIGURED 2 WAYS.
 A. THE WEDGE CAN BE CONFIGURED WITH A SPEAKER AND CALL BUTTON.
 B. A QR, 1D & 2D BARCODE SCANNER THAT SCANS OUT OF THE BOTTOM OF THE WEDGE. THE SCAN FOCUS POINT IS ABOUT 5 INCHES BELOW THE BOTTOM OF THE WEDGE.

DETAIL B
 SCALE 0.500

2.5

THIS DRAWING IS PROPRIETARY AND CONSIDERED CONFIDENTIAL. NO REPRODUCTION MAY BE MADE WITHOUT WRITTEN PERMISSION FROM H32 DESIGN AND DEVELOPMENT LLC. WWW.H32.COM	SIZE:	DRAWING TITLE:	REV:
	B	ENVIRO KIOSK CUS DWG	F
DWG #:	H32-90-100	SHEET: 6 OF 7	

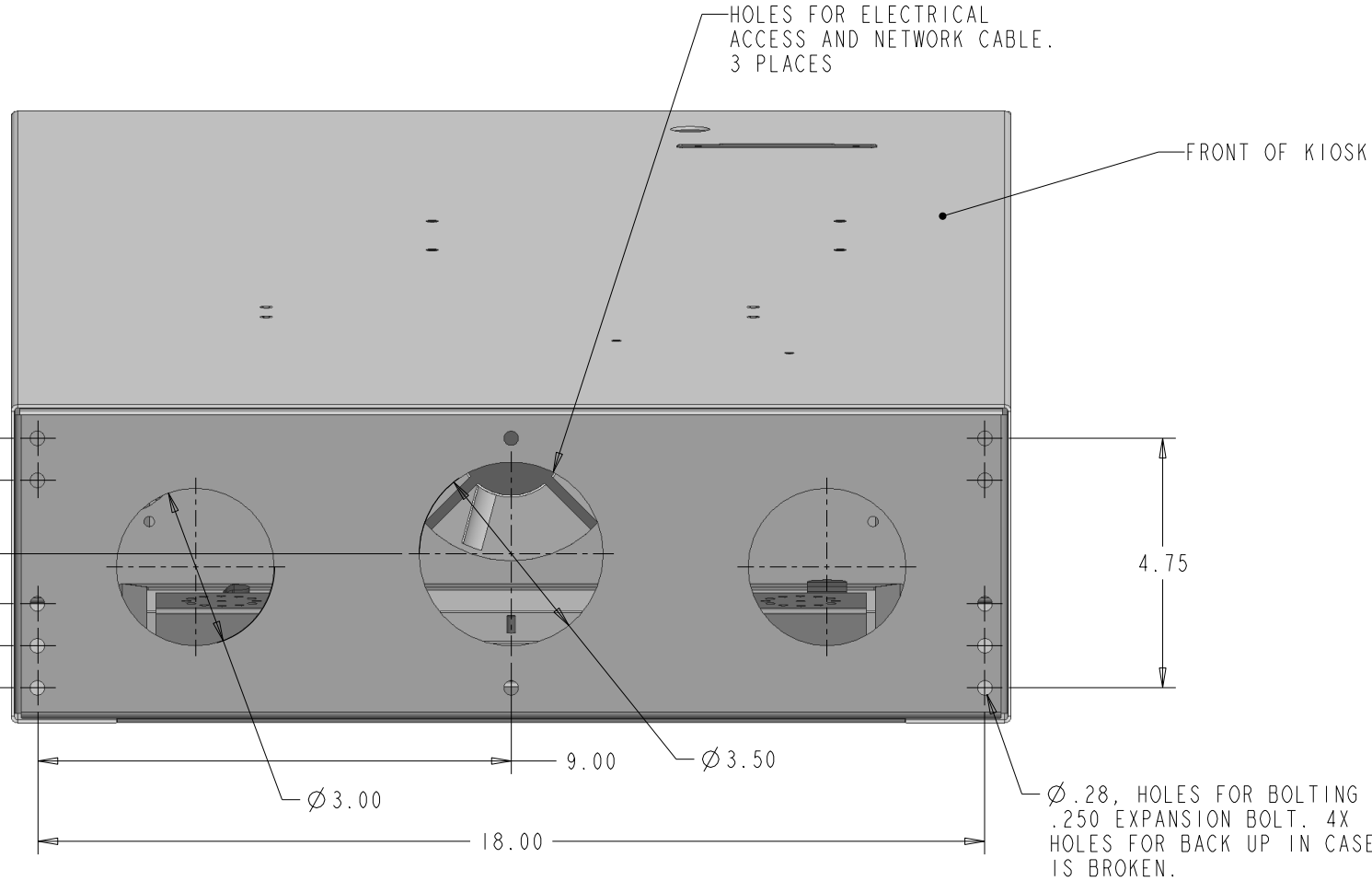


For questions regarding this drawing or product please contact an Advanced Kiosks technical sales representative.
 Advanced Kiosks | 134 Hall Street, Units F/G, Concord, NH 03301 | 603-865-1000 | www.advancedkiosks.com

ZONE	LTR	DESCRIPTION	DATE	APPROVED

B

A



BOTTOM VIEW

THIS DRAWING IS PROPRIETARY AND CONSIDERED CONFIDENTIAL. NO REPRODUCTION MAY BE MADE WITHOUT WRITTEN PERMISSION FROM H32 DESIGN AND DEVELOPMENT LLC. WWW.H32.COM	SIZE: B	DRAWING TITLE: ENVIRO KIOSK CUS DWG	REV: F
	DWG #: H32-90-100	SHEET: 7 OF 7	

2

11



For questions regarding this drawing or product please contact an Advanced Kiosks technical sales representative.
 Advanced Kiosks | 134 Hall Street, Units F/G, Concord, NH 03301 | 603-865-1000 | www.advancedkiosks.com