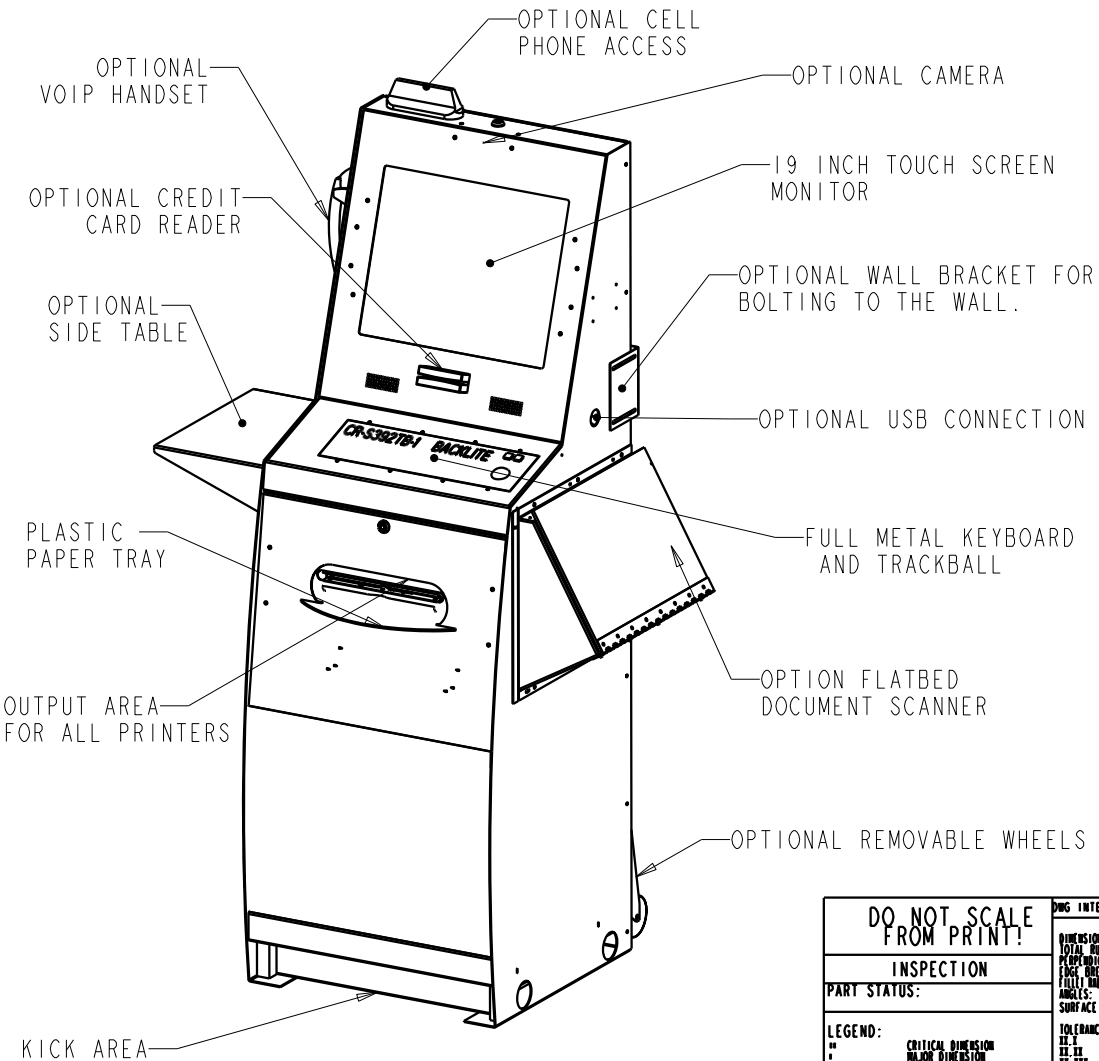


ZONE	LTR	DESCRIPTION	DATE	APPROVED

B

A



NOTES

1. THIS IS A CUSTOMER DRAWING DO NOT REFERENCE FOR MANUFACTURING. IT IS FOR CUSTOMERS TO REFERENCE ONLY.
2. THIS IS A ENGINEERING MODEL OF THE DOCUMENT KIOSK ALL FEATURES ARE SHOWN. HOLES THAT ARE SHOWN ARE FILLED WITH FLAT HEAD SCREWS. NO ELECTRONICS ARE SHOWN
3. THIS DRAWING IS TO COMMUNICATE TO CUSTOMERS THE SIZE OF THE DOCUMENT KIOSK FOR GRAPHICAL LAMINATES, MOUNTING POINTS, AND FOR PRINTER SIZE.

DO NOT SCALE FROM PRINT!		DIMENSIONS IN: INCHES TOTAL TOLERANCE: ±.005 INCH PERPENDICULARITY: .005 INCH EDGE BREAKS: .005 INCH FILL: 50% HOLE: 50% SURFACE ROUGHNESS: 125		H32 DESIGN AND DEVELOPMENT LLC, 603-865-1000 PO BOX 234, WILMOT NH 03287, www.H32.com Advanced kiosks is a dba of H32	
INSPECTION		TOLERANCES: XX.X XX.XX XX.XXX		TITLE: CUSTOMER DRAWING FOR DOCUMENT KIOSK	
PART STATUS:		THIRD ANGLE PROJECTION		SIZE: D DRAWING NUMBER: H32 - 30 - 50 REV: K	
LEGEND: CRITICAL DIMENSION MAJOR DIMENSION MINOR DIMENSION		THIS DRAWING IS PROPRIETARY AND CONSIDERED CONFIDENTIAL. NO REPRODUCTION MAY BE MADE WITHOUT WRITTEN PERMISSION FROM H32 DESIGN AND DEVELOPMENT LLC.		SCALE: SHEET: 1 OF 6	

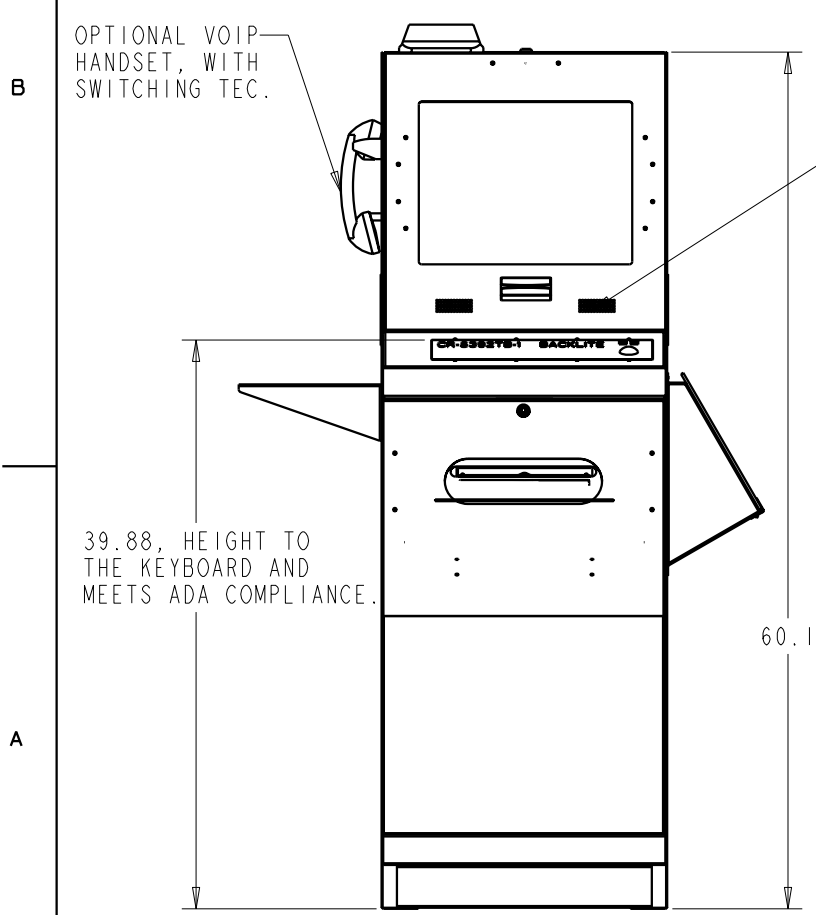
2

1



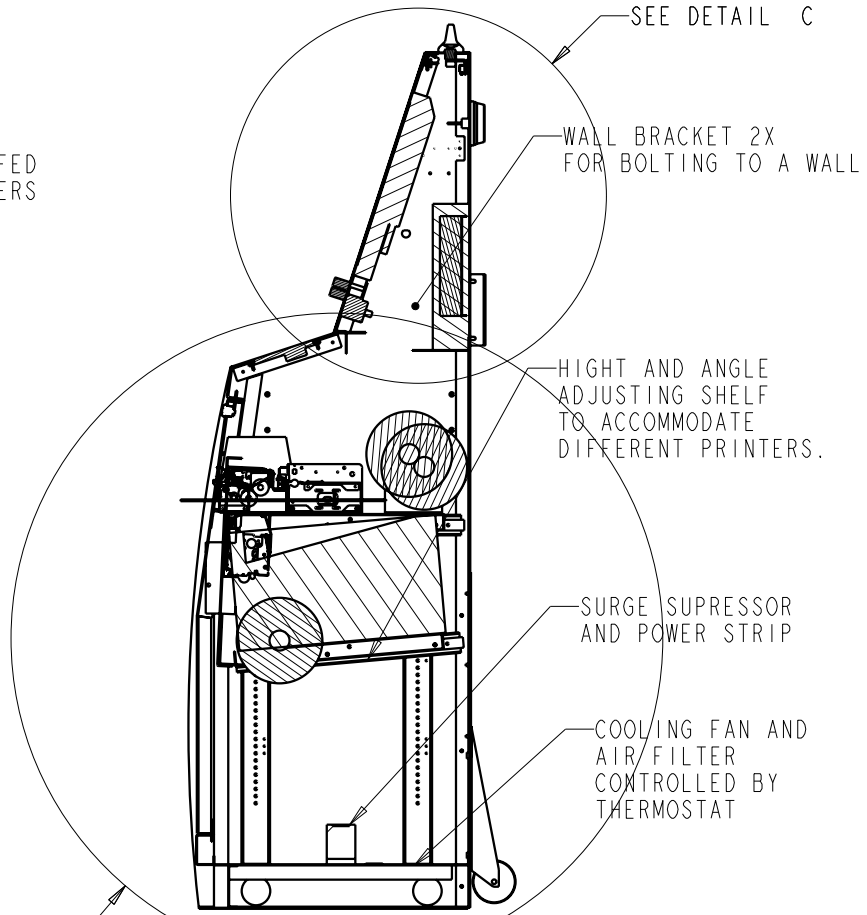
For questions regarding this drawing or product please contact an Advanced Kiosks technical sales representative.
 Advanced Kiosks | 134 Hall Street, Units F/G, Concord NH 03301 | 603-865-1000 | www.advancedkiosks.com

ZONE	LTR	DESCRIPTION	DATE	APPROVED



FRONT VIEW

SEE DETAIL D



SECTION XSEC0001-XSEC0001

THIS DRAWING IS PROPRIETARY AND CONSIDERED CONFIDENTIAL. NO REPRODUCTION MAY BE MADE WITHOUT WRITTEN PERMISSION FROM H32 DESIGN AND DEVELOPMENT LLC. WWW.H32.COM	SIZE: B	DRAWING TITLE: DOCUMENT KIOSK	REV: K
	DWG #: H32 - 30 - 50	SHEET: 2 OF 6	



For questions regarding this drawing or product please contact an Advanced Kiosks technical sales representative.
 Advanced Kiosks | 134 Hall Street, Units F/G, Concord NH 03301 | 603-865-1000 | www.advancedkiosks.com

ZONE	LTR	DESCRIPTION	DATE	APPROVED

THIS VIEW SHOWS THE PRINTER AREA WITH AN OKI B410. THE DOCUMENT KIOSK CAN FIT A PRINTER THAT FITS IN AN AREA OF 18 INCHES FRONT TO BACK, 17.8 WIDE AND NOT HIGHER THAN 21 INCHES.

B

KIOSK FACE SWINGS OPEN FOR ACCESS TO MONITOR & COMPUTER

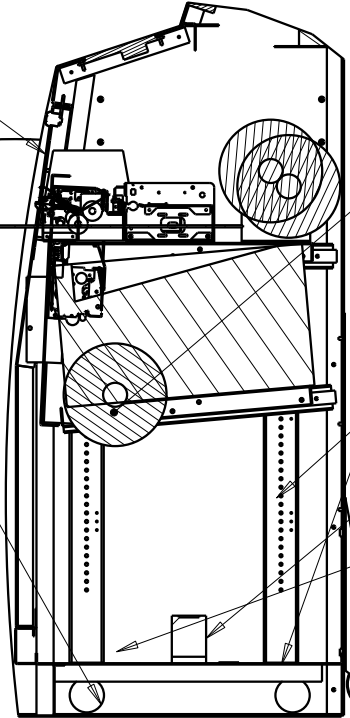
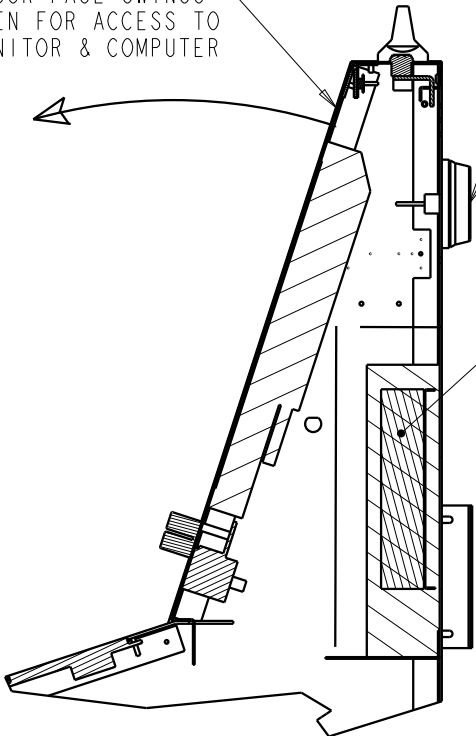
TAMPER PROOF WIFI PUCK ANTENNA

LOWER DOOR OPENS FOR ACCESS TO PRINTER & POWER.

THE COMPUTER IS MOUNTED ON VIBRATION ISOLATORS. THE DOCUMENT KIOSK CAN ACCOMMODATE A COMPUTER MAX SIZE 11.4 H, 3.7 W, 12.3 D

THERE IS A EXIT HOLES ON 3 SIDES FOR POWER CORD AND CAT5 CABLES.

A



PRINTER SLIDE

COOLING FAN

ADJUSTMENT RAILS FOR PRINTER SHELF

POWER STRIP WITH SURGE SUPPRESSION

SECONDARY LOCATION OF COMPUTER.

REMOVABLE BRACKET AND WHEELS

DETAIL C
SCALE 0.250

DETAIL D
SCALE 0.150

THIS DRAWING IS PROPRIETARY AND CONSIDERED CONFIDENTIAL. NO REPRODUCTION MAY BE MADE WITHOUT WRITTEN PERMISSION FROM H32 DESIGN AND DEVELOPMENT LLC. WWW.H32.COM	SIZE:	DRAWING TITLE:	REV:
	B	DOCUMENT KIOSK	K
DWG #:	H32 - 30 - 50	SHEET:	3 OF 6

2

11



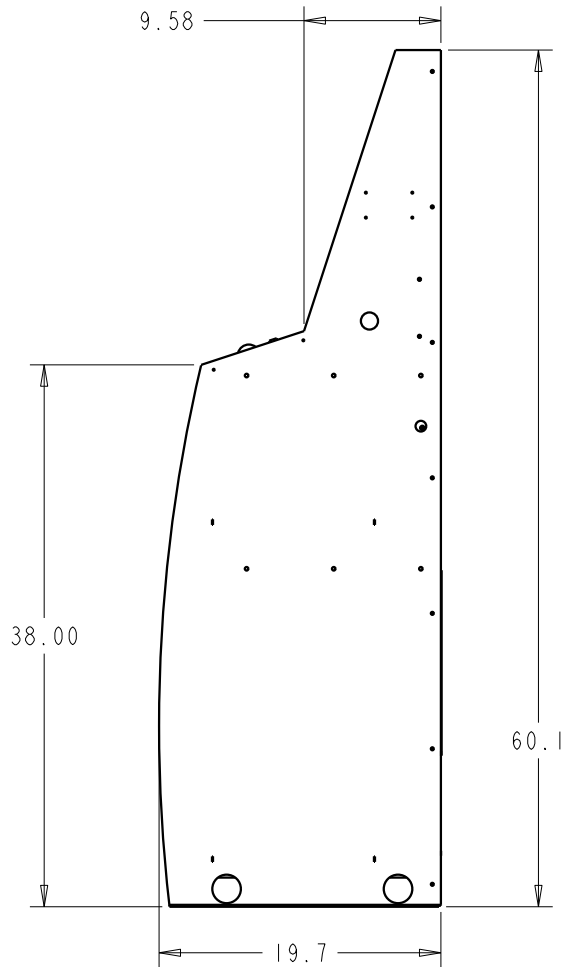
For questions regarding this drawing or product please contact an Advanced Kiosks technical sales representative.

Advanced Kiosks | 134 Hall Street, Units F/G, Concord NH 03301 | 603-865-1000 | www.advancedkiosks.com

ZONE	LTR	DESCRIPTION	DATE	APPROVED

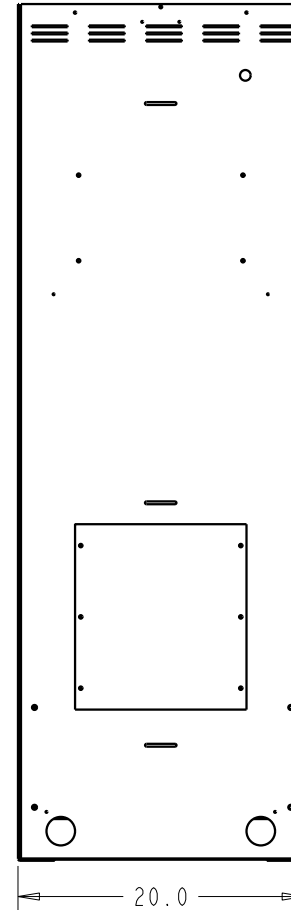
B

A



SIDE VIEW

IF THE KIOSK IS GOING TO HAVE A FULL GRAPHICS WRAP USE THESE DIMENSIONS AND ALLOW FOR .5 IN OF BLEED OVER ON THE SIDES. OPTIONS MOUNTED ON THE KIOSK MAY EFFECT GRAPHICS.



BACK VIEW

KIOSK WRAP DIMENSIONS

<small>THIS DRAWING IS PROPRIETARY AND CONSIDERED CONFIDENTIAL. NO REPRODUCTION MAY BE MADE WITHOUT WRITTEN PERMISSION FROM H32 DESIGN AND DEVELOPMENT LLC. WWW.H32.COM</small>	SIZE: B	DRAWING TITLE: DOCUMENT KIOSK	REV: K
	DWG #: H32 - 30 - 50	SHEET: 4 OF 6	

2



For questions regarding this drawing or product please contact an Advanced Kiosks technical sales representative.
 Advanced Kiosks | 134 Hall Street, Units F/G, Concord NH 03301 | 603-865-1000 | www.advancedkiosks.com

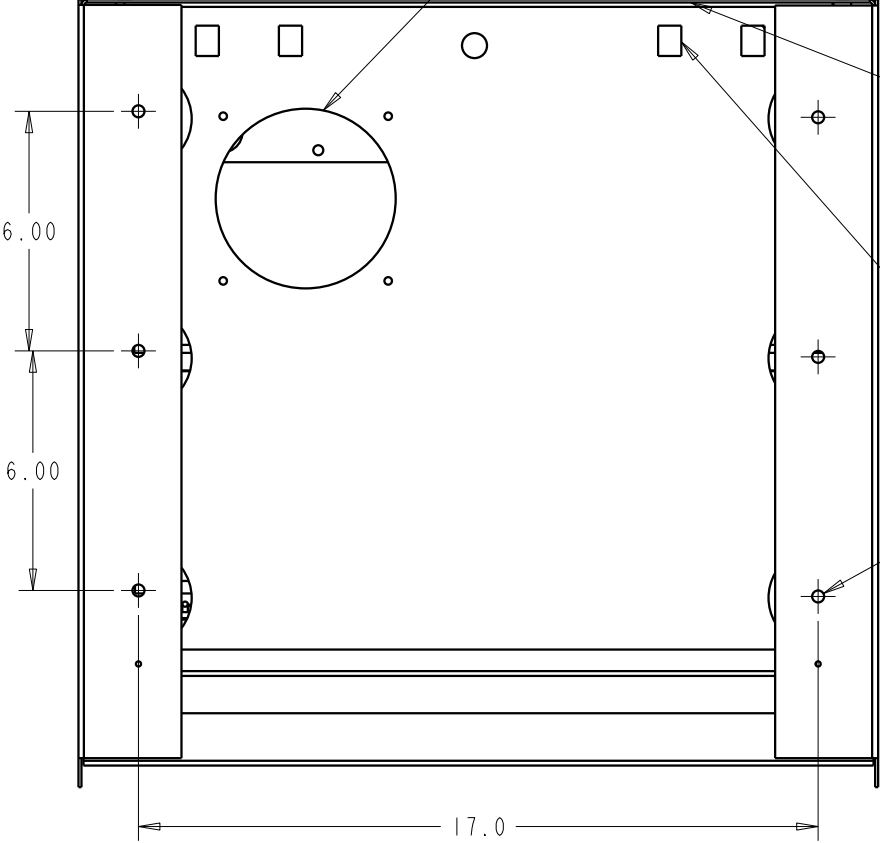
ZONE	LTR	DESCRIPTION	DATE	APPROVED

COOLING FAN IS THERMOSTALLY CONTROLLED.

LEAVE AT LEASE 1.0 INCHES BEHIND THE KIOSK FOR AIRFLOW WHEN BOLTING THE KIOSK NEXT TO A WALL.

CAT5 CONNECTION HOLE 4 PLACES

Ø .30, THERE ARE 6 BOLT DOWN POINTS ON THE BOTTOM OF THE KIOSK. ACCESS IS PROVIDED THE TOP BY REMOVING THE DOOR AND PRINTER SHELF.



MOUNTING POINTS

BOTTOM VIEW

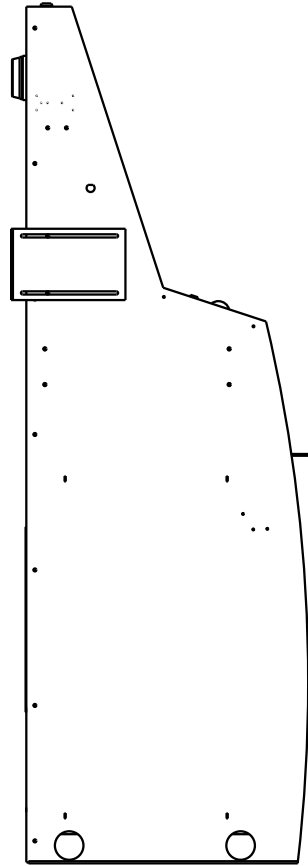
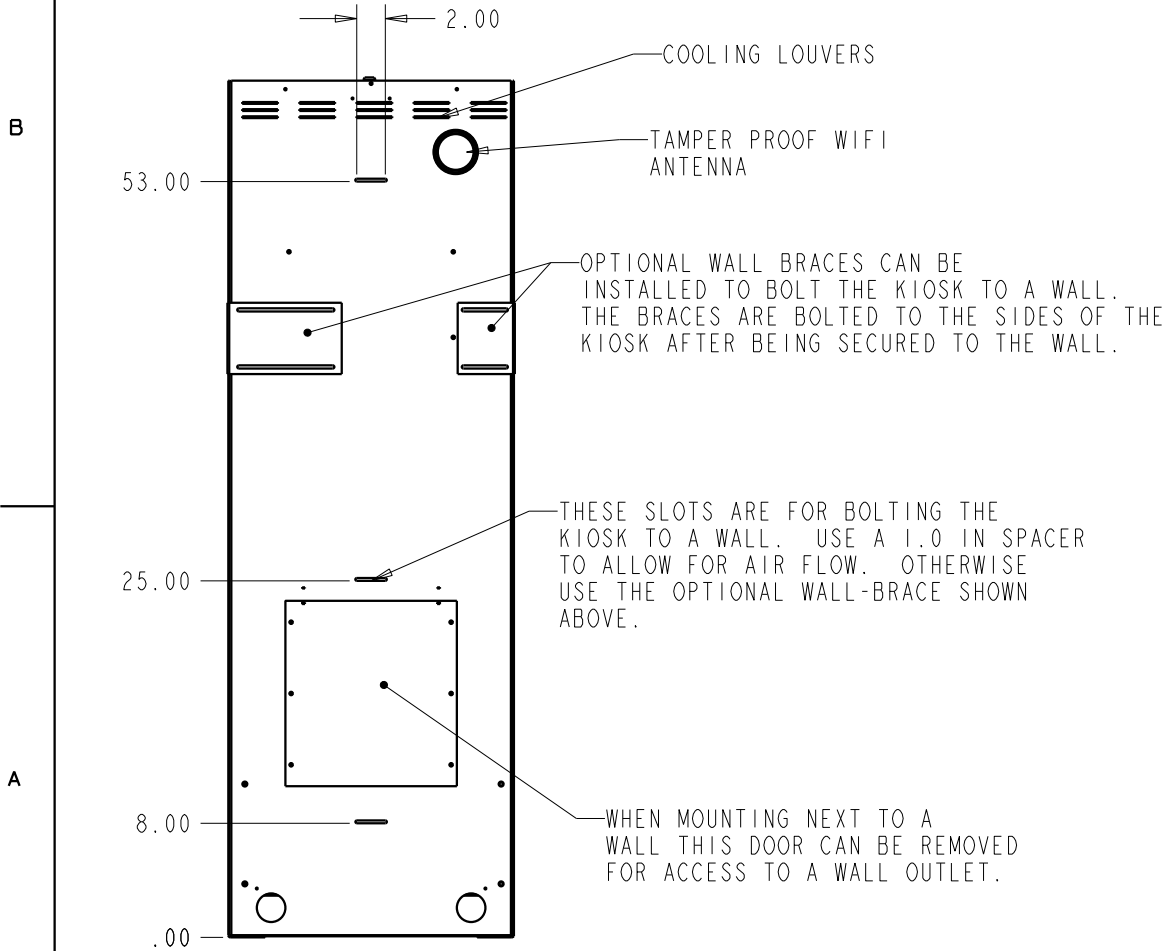
DOCUMENT KIOSK

THIS DRAWING IS PROPRIETARY AND CONSIDERED CONFIDENTIAL. NO REPRODUCTION MAY BE MADE WITHOUT WRITTEN PERMISSION FROM H32 DESIGN AND DEVELOPMENT LLC. WWW.H32.COM	SIZE:	DRAWING TITLE:	REV:
	B	DOCUMENT KIOSK	K
DWG #:	H32 - 30 - 50	SHEET:	5 OF 6



For questions regarding this drawing or product please contact an Advanced Kiosks technical sales representative.
 Advanced Kiosks | 134 Hall Street, Units F/G, Concord NH 03301 | 603-865-1000 | www.advancedkiosks.com

ZONE	LTR	DESCRIPTION	DATE	APPROVED



THIS DRAWING IS PROPRIETARY AND CONSIDERED CONFIDENTIAL. NO REPRODUCTION MAY BE MADE WITHOUT WRITTEN PERMISSION FROM H32 DESIGN AND DEVELOPMENT LLC. WWW.H32.COM	SIZE: B	DRAWING TITLE: DOCUMENT KIOSK	REV: K
	DWG #: H32 - 30 - 50	SHEET: 6 OF 6	

2

11



For questions regarding this drawing or product please contact an Advanced Kiosks technical sales representative.
 Advanced Kiosks | 134 Hall Street, Units F/G, Concord NH 03301 | 603-865-1000 | www.advancedkiosks.com