

B



A

SCALE 0.125

ZONE	LTR	DESCRIPTION	DATE	APPROVED

NOTES

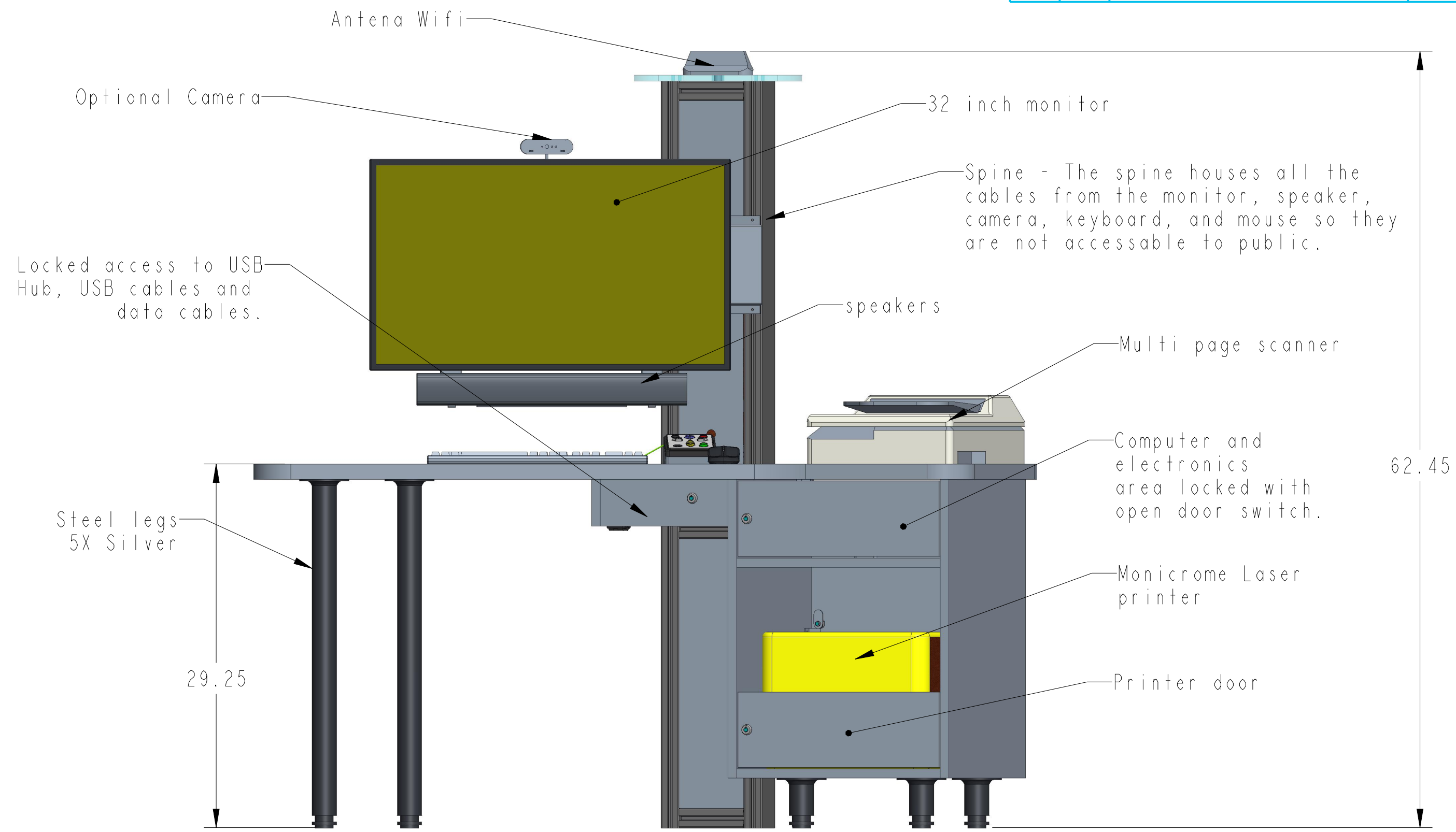
1. THIS DRAWING IS FOR CUSTOMER REFERENCE ONLY.
2. This drawing is not for manufacturing reference and is not controlled and may be out of date.
3. All wires switches and controls are enclosed.
4. Table is constructed of high density plywood with a commerical laminate surface.
5. Chair is optional.

<p>DO NOT SCALE FROM PRINT!</p> <p>INSPECTION</p> <p>PART STATUS:</p> <p>LEGEND: ** CRITICAL DIMENSION * MAJOR DIMENSION (NO *) MINOR DIMENSION</p> <p>THIS DRAWING IS PROPRIETARY AND CONSIDERED CONFIDENTIAL. NO REPRODUCTION MAY BE MADE WITHOUT WRITTEN PERMISSION FROM H32 DESIGN AND DEVELOPMENT LLC.</p>		<p>DWG INTERPRETATION: ASME Y14.5M-1994 UNLESS OTHERWISE SPECIFIED:</p> <p>DIMENSIONS IN: INCHES TOTAL ROUND: .005/INCH PERPENDICULARITY: .005/INCH EDGE BREAKS: .005-.015 FILLET RADIUS: .010 MAX ANGLES: ± 0.3° SURFACE ROUGHNESS: 125</p> <p>TOLERANCES: XX.X ± .02 XX.XX ± .010 XX.XXX ± .005</p>		<p>H32 DESIGN AND DEVELOPMENT LLC, 603-865-1000 PO BOX 234, WILMOT NH 03287, www.H32.com Advanced kiosks is a dba of H32</p>	
		<p>THIRD ANGLE PROJECTION</p>		<p>TITLE: Agis Table Customer Dwg</p>	
<p>SIZE: D</p>		<p>DRAWING NUMBER: H32 - 340 - C</p>		<p>REV: -</p>	
<p>SCALE:</p>		<p>SHEET: 1 OF 4</p>		<p> </p>	

ZONE	LTR	DESCRIPTION	DATE	APPROVED

B

A

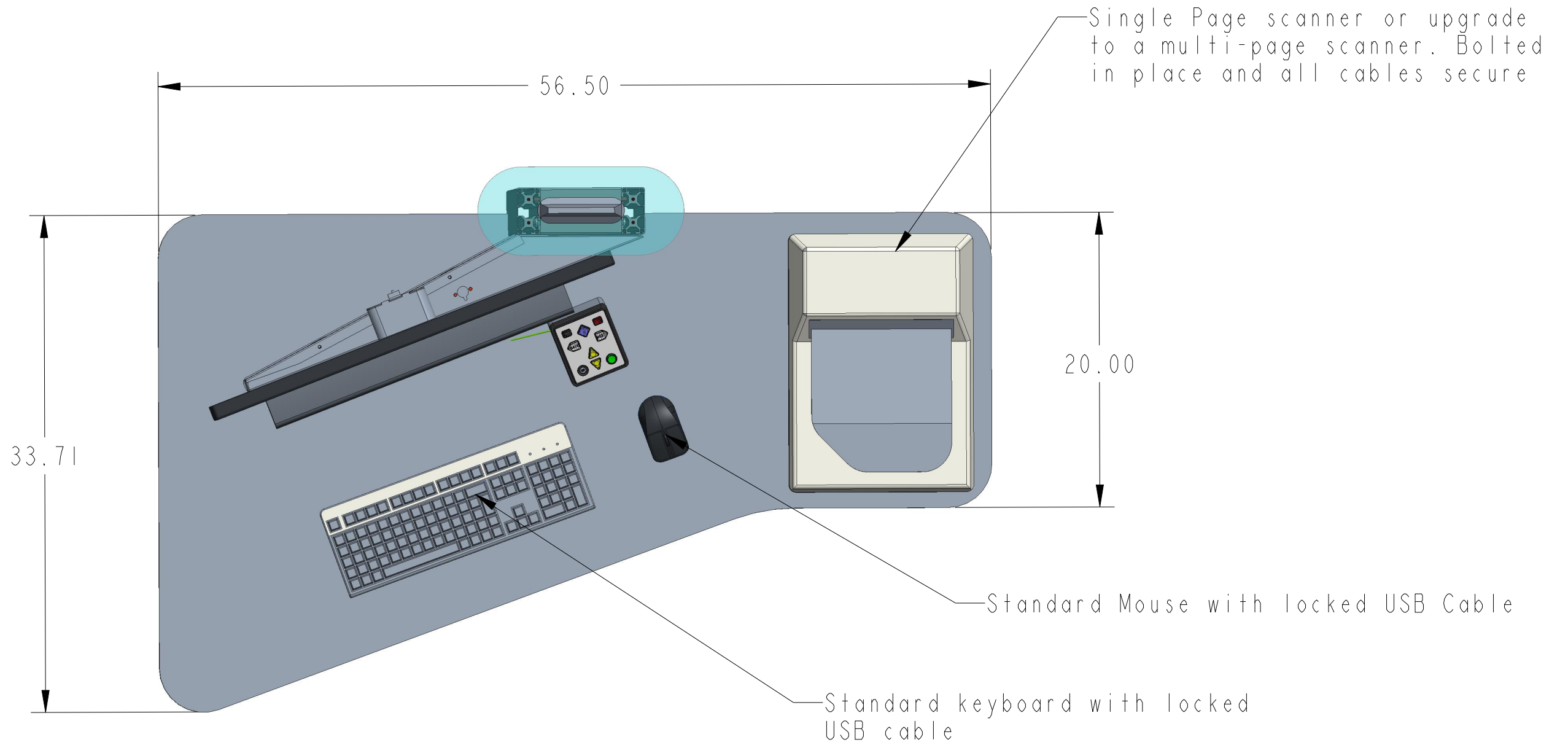


SCALE 0.125

Front View

THIS DRAWING IS PROPRIETARY AND CONSIDERED CONFIDENTIAL. NO REPRODUCTION MAY BE MADE WITHOUT WRITTEN PERMISSION FROM H32 DESIGN AND DEVELOPMENT LLC. WWW.H32.COM	SIZE: B	DRAWING TITLE: Agis Table Customer Dwg -	REV: -
	DWG # H32 - 340 - C		SHEET: 2 OF 4

ZONE	LTR	DESCRIPTION	DATE	APPROVED



SCALE 0.125

top View

THIS DRAWING IS PROPRIETARY AND CONSIDERED CONFIDENTIAL. NO REPRODUCTION MAY BE MADE WITHOUT WRITTEN PERMISSION FROM H32 DESIGN AND DEVELOPMENT LLC. WWW.H32.COM	SIZE: B	DRAWING TITLE: Agis Table Customer Dwg	REV: -
	DWG #: H32 - 340 - C	SHEET: 3 OF 4	

ZONE	LTR	DESCRIPTION	DATE	APPROVED

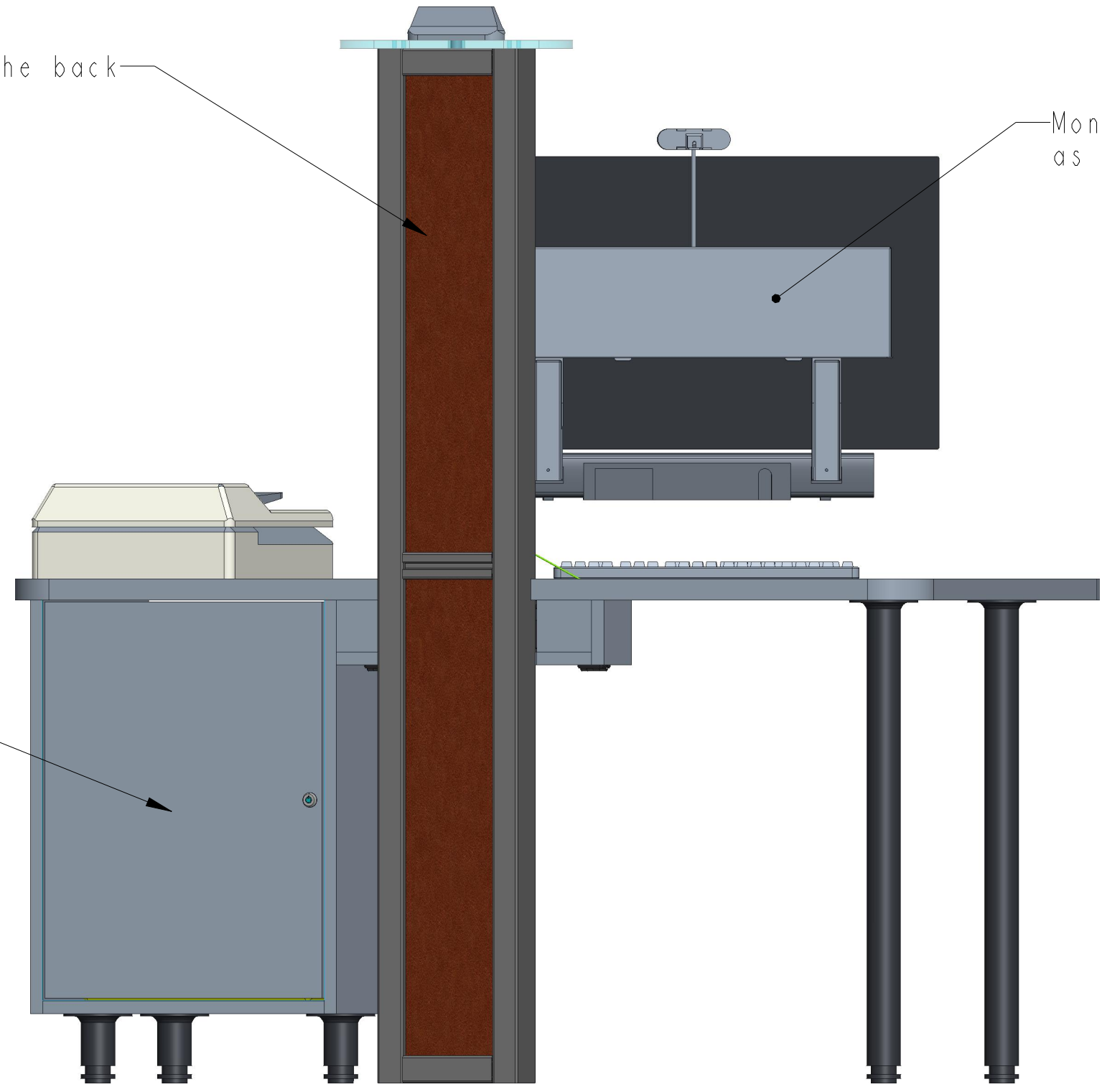
B

Spine - No access from the back

Moniator mount is enclosed as
as well as all cables.

Back access door
locked with open
door alarm

A



SCALE 0.125

THIS DRAWING IS PROPRIETARY AND CONSIDERED
CONFIDENTIAL. NO REPRODUCTION MAY BE MADE
WITHOUT WRITTEN PERMISSION FROM H32
DESIGN AND DEVELOPMENT LLC. WWW.H32.COM

SIZE: B	DRAWING TITLE: Agis Table Customer Dwg	REV: -
DWG #: H32 - 340 - C	SHEET: 4 OF 4	